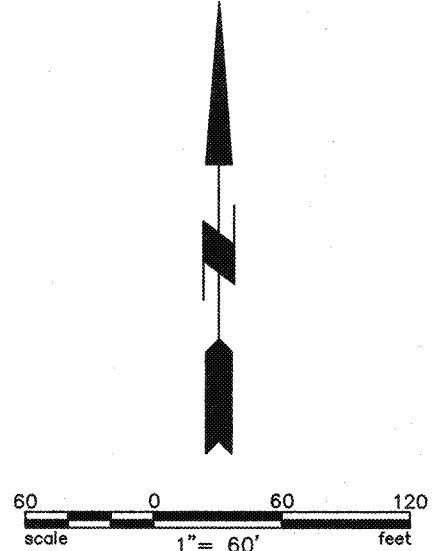


FAA LATITUDE AND LONGITUDE			
POINT NUMBER	LATITUDE (NORTH)	LONGITUDE (WEST)	SITE ELEVATION (FEET AMSL)
1	33° 56' 42.90"	118° 20' 13.54"	105
2	33° 56' 42.90"	118° 20' 12.06"	106
3	33° 56' 42.33"	118° 20' 13.54"	105
4	33° 56' 42.33"	118° 20' 12.76"	105
5	33° 56' 40.95"	118° 20' 12.75"	104
6	33° 56' 40.95"	118° 20' 12.06"	104

**LEGEND**

- ⊕ POINT LOCATION
- # POINT #



**LICENSED SURVEYOR'S CERTIFICATE**  
 I HAVE REVIEWED THE DATA SHOWN ON THIS SHEET AND CERTIFY THAT THE COORDINATES AND SITE ELEVATIONS ARE ACCURATE TO WITHIN +/- 20 FEET HORIZONTAL AND +/- 3 FEET VERTICALLY. THE HORIZONTAL DATUM (COORDINATES) ARE IN TERMS OF THE NORTHERN AMERICAN DATUM OF 1983 (NAD83) AND ARE EXPRESSED IN DEGREES, MINUTES, AND SECONDS. THE VERTICAL DATUM (HEIGHTS) ARE IN TERMS OF THE NORTH AMERICAN VERTICAL DATUM OF 1988 (NAVD88) AND ARE DETERMINED TO THE NEAREST FOOT.

*Mark A. Monroe*  
 MARK A. MONROE, LS 8170  
 8/07/2019  
 DATE



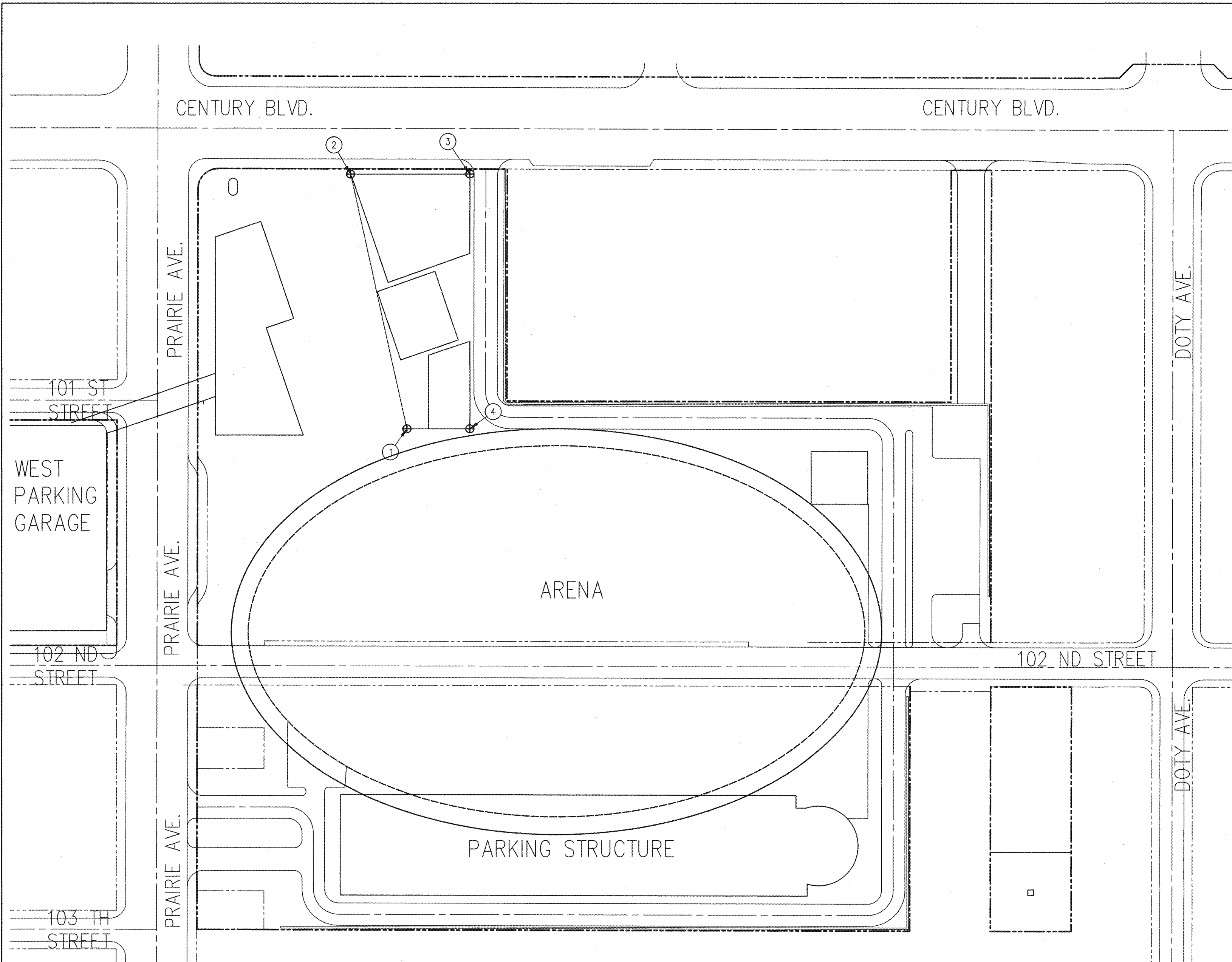
**D & D ENGINEERING, INC.**  
 8901 S. LA CIENEGA BLVD, SUITE 106  
 INGLEWOOD, CA 90301  
 Phone: 424-351-6800

**INGLEWOOD BASKETBALL AND ENTERTAINMENT CENTER**

**HOTEL**  
 FAA LATITUDE AND LONGITUDE EXHIBIT

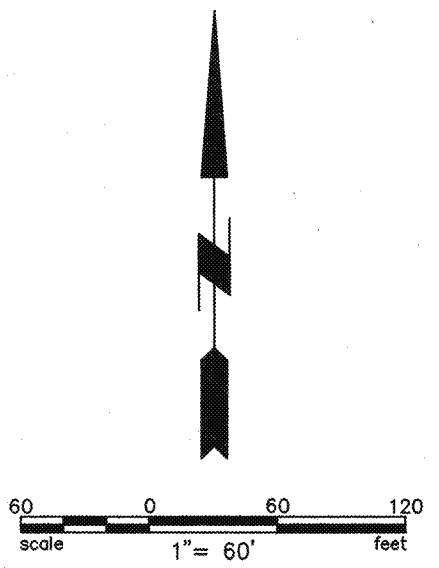
SCALE: AS SHOWN  
 DATE: 8/7/2019  
 SHIT NO.: 1 OF 1

Drawing Name: M:\77001\Eng\77001\Exhibits\27\_FAA Exhibits\BEC FAA Exhibit - Hotel.dwg  
 Last Opened: Aug 07, 2019 - 12:34pm by Boris



FAA LATITUDE AND LONGITUDE			
POINT NUMBER	LATITUDE (NORTH)	LONGITUDE (WEST)	SITE ELEVATION (FEET AMSL)
1	33° 56' 39.97"	118° 20' 34.44"	91
2	33° 56' 43.09"	118° 20' 35.28"	92
3	33° 56' 43.10"	118° 20' 33.53"	92
4	33° 56' 39.98"	118° 20' 33.52"	91

**LEGEND**  
 ⊕ POINT LOCATION  
 ⊕ POINT #



**LICENSED SURVEYOR'S CERTIFICATE**  
 I HAVE REVIEWED THE DATA SHOWN ON THIS SHEET AND CERTIFY THAT THE COORDINATES AND SITE ELEVATIONS ARE ACCURATE TO WITHIN +/- 20 FEET HORIZONTAL AND +/- 3 FEET VERTICALLY. THE HORIZONTAL DATUM (COORDINATES) ARE IN TERMS OF THE NORTHERN AMERICAN DATUM OF 1983 (NAD83) AND ARE EXPRESSED IN DEGREES, MINUTES, AND SECONDS. THE VERTICAL DATUM (HEIGHTS) ARE IN TERMS OF THE NORTH AMERICAN VERTICAL DATUM OF 1988 (NAVD88) AND ARE DETERMINED TO THE NEAREST FOOT.

*Mark A. Monroe*  
 MARK A. MONROE, LS 8170  
 8/07/2019  
 DATE



**D & D ENGINEERING, INC.**  
 8901 S. LA CIENEGA BLVD, SUITE 106  
 INGLEWOOD, CA 90301  
 Phone: 424-351-6800

**INGLEWOOD BASKETBALL AND ENTERTAINMENT CENTER**  
**PLAZA ANCILLARY BUILDINGS**  
**FAA LATITUDE AND LONGITUDE EXHIBIT**

SCALE: AS SHOWN  
 DATE: 8/7/2019  
 SHT NO.: 1 OF 1

Drawing Name: M:\17001\Eng\17001\Exhibits\27\_FAA Exhibit\BEC FAA Exhibit - Plaza Ancillary.dwg  
 Last Operated: Aug 07, 2019 - 12:34pm by: Boris

CENTURY BLVD.

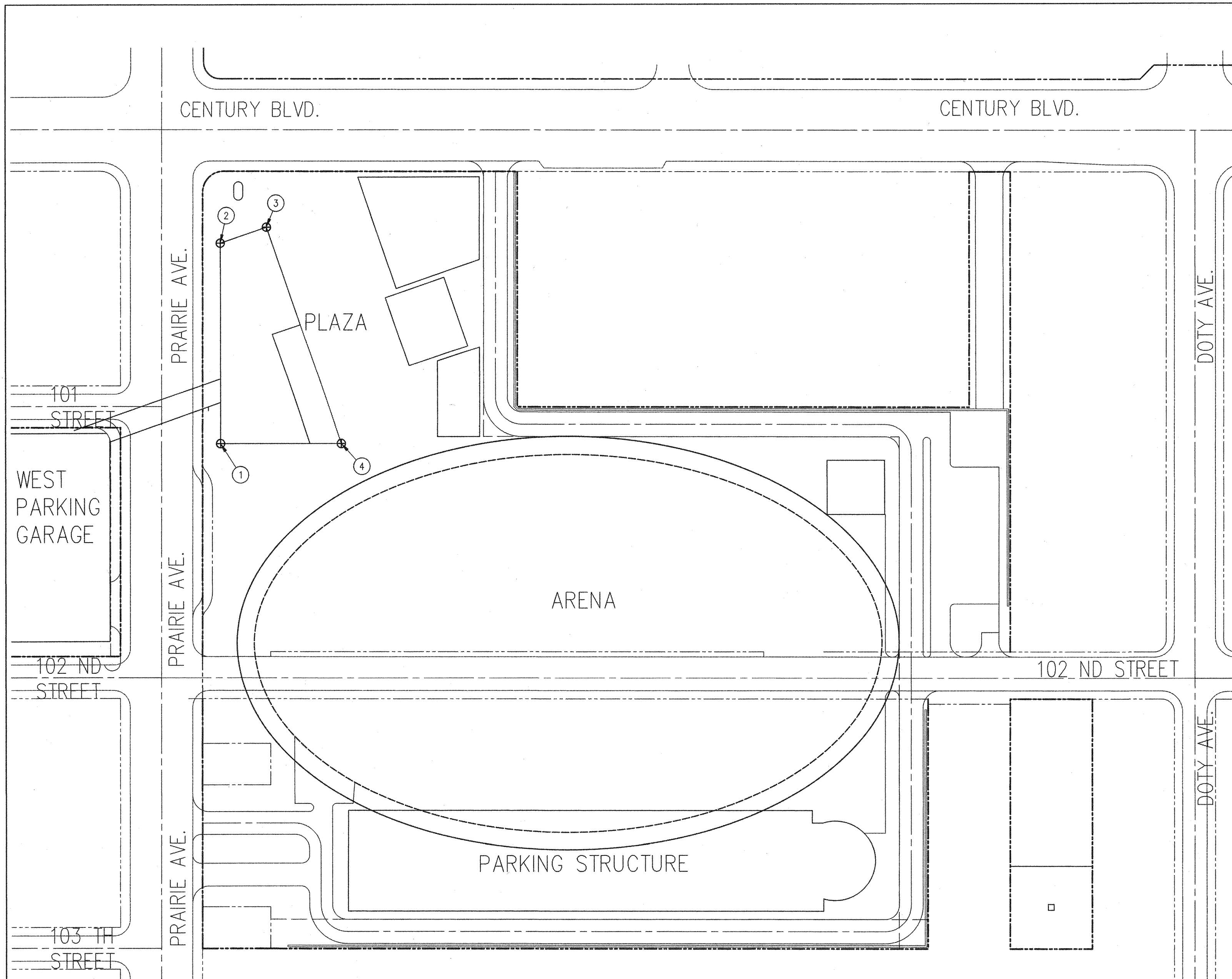
CENTURY BLVD.

FAA LATITUDE AND LONGITUDE

POINT NUMBER	LATITUDE (NORTH)	LONGITUDE (WEST)	SITE ELEVATION (FEET AMSL)
1	33° 56' 39.89"	118° 20' 37.26"	89
2	33° 56' 42.30"	118° 20' 37.27"	90
3	33° 56' 42.50"	118° 20' 36.60"	90
4	33° 56' 39.89"	118° 20' 35.52"	89

LEGEND

- ⊕ POINT LOCATION
- ⓪ POINT #

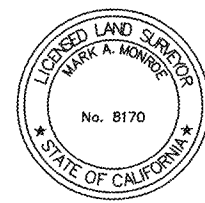


LICENSED SURVEYOR'S CERTIFICATE

I HAVE REVIEWED THE DATA SHOWN ON THIS SHEET AND CERTIFY THAT THE COORDINATES AND SITE ELEVATIONS ARE ACCURATE TO WITHIN +/- 20 FEET HORIZONTAL AND +/- 3 FEET VERTICALLY. THE HORIZONTAL DATUM (COORDINATES) ARE IN TERMS OF THE NORTHERN AMERICAN DATUM OF 1983 (NAD83) AND ARE EXPRESSED IN DEGREES, MINUTES, AND SECONDS. THE VERTICAL DATUM (HEIGHTS) ARE IN TERMS OF THE NORTH AMERICAN VERTICAL DATUM OF 1988 (NAVD88) AND ARE DETERMINED TO THE NEAREST FOOT.

*Mark A. Monroe*  
 MARK A. MONROE, LS 8170

8/07/2019  
 DATE



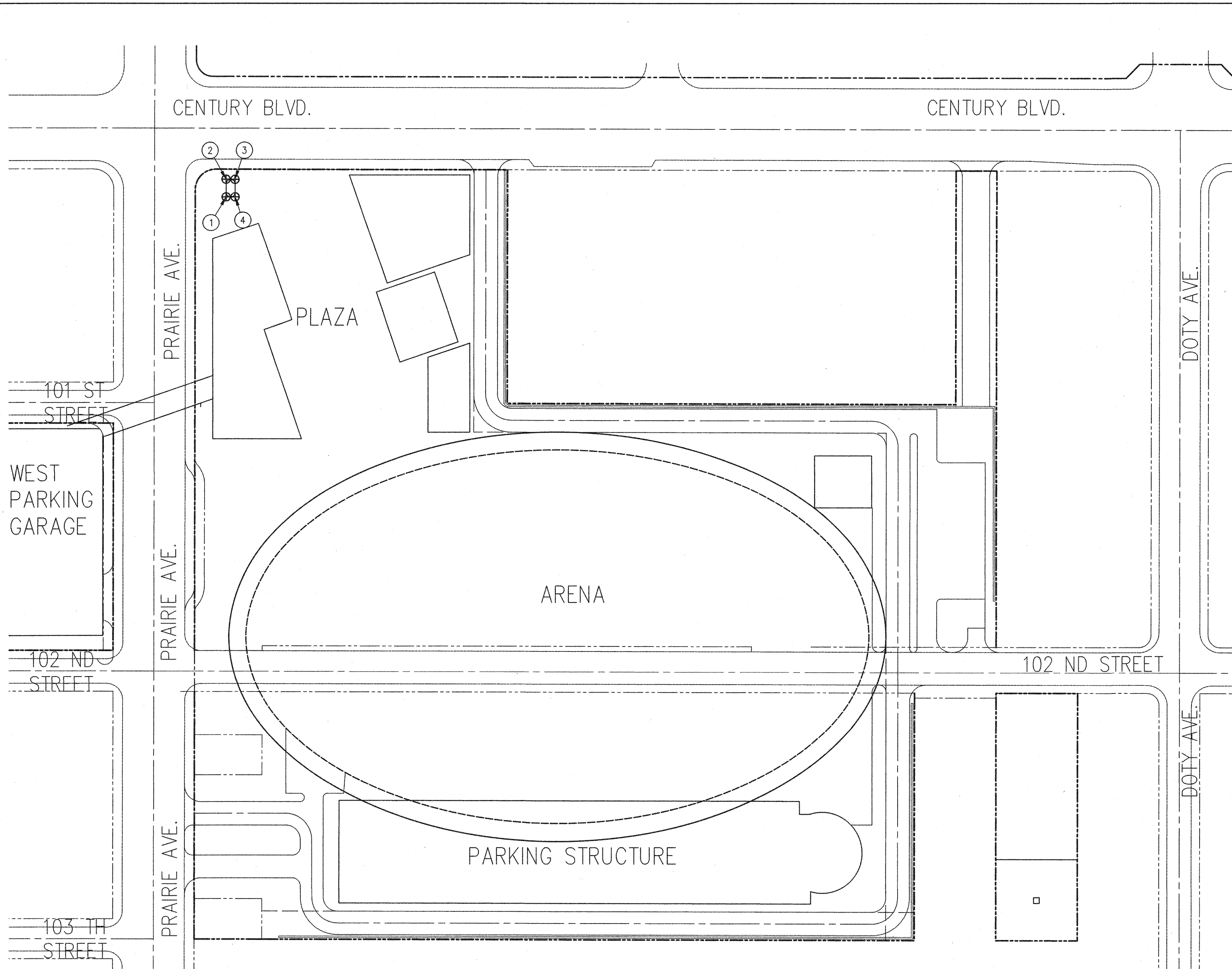
**D & D ENGINEERING, INC.**  
 8901 S. LA CIENEGA BLVD, SUITE 106  
 INGLEWOOD, CA 90301  
 Phone: 424-351-6800

**INGLEWOOD BASKETBALL AND ENTERTAINMENT CENTER**

PLAZA RETAIL BUILDING  
 FAA LATITUDE AND LONGITUDE EXHIBIT

SCALE: AS SHOWN  
 DATE: 8/7/2019  
 SHEET NO.: 1 OF 1

Drawing Name: M:\17001\Eng\17001\Exhibits\27\_FAA Exhibits\BEC FAA Exhibit - Plaza Retail.dwg  
 Last Opened: Aug 07, 2019 - 12:34pm by: Boris

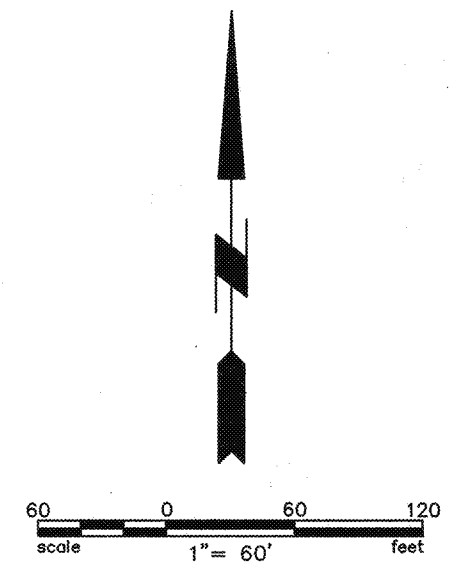


FAA LATITUDE AND LONGITUDE			
POINT NUMBER	LATITUDE (NORTH)	LONGITUDE (WEST)	SITE ELEVATION (FEET AMSL)
1	33° 56' 42.82"	118° 20' 37.08"	90
2	33° 56' 43.04"	118° 20' 37.08"	90
3	33° 56' 43.04"	118° 20' 36.95"	90
4	33° 56' 42.82"	118° 20' 36.95"	90

**LEGEND**

⊕ POINT LOCATION

Ⓜ POINT #



**LICENSED SURVEYOR'S CERTIFICATE**  
 I HAVE REVIEWED THE DATA SHOWN ON THIS SHEET AND CERTIFY THAT THE COORDINATES AND SITE ELEVATIONS ARE ACCURATE TO WITHIN +/- 20 FEET HORIZONTAL AND +/- 3 FEET VERTICALLY. THE HORIZONTAL DATUM (COORDINATES) ARE IN TERMS OF THE NORTHERN AMERICAN DATUM OF 1983 (NAD83) AND ARE EXPRESSED IN DEGREES, MINUTES, AND SECONDS. THE VERTICAL DATUM (HEIGHTS) ARE IN TERMS OF THE NORTH AMERICAN VERTICAL DATUM OF 1988 (NAVD88) AND ARE DETERMINED TO THE NEAREST FOOT.

*Mark A. Monroe*  
 MARK A. MONROE, LS 8170  
 8/07/2019  
 DATE



**D & D ENGINEERING, INC.**  
 8901 S. LA CIENEGA BLVD, SUITE 106  
 INGLEWOOD, CA 90301  
 Phone: 424-351-8800

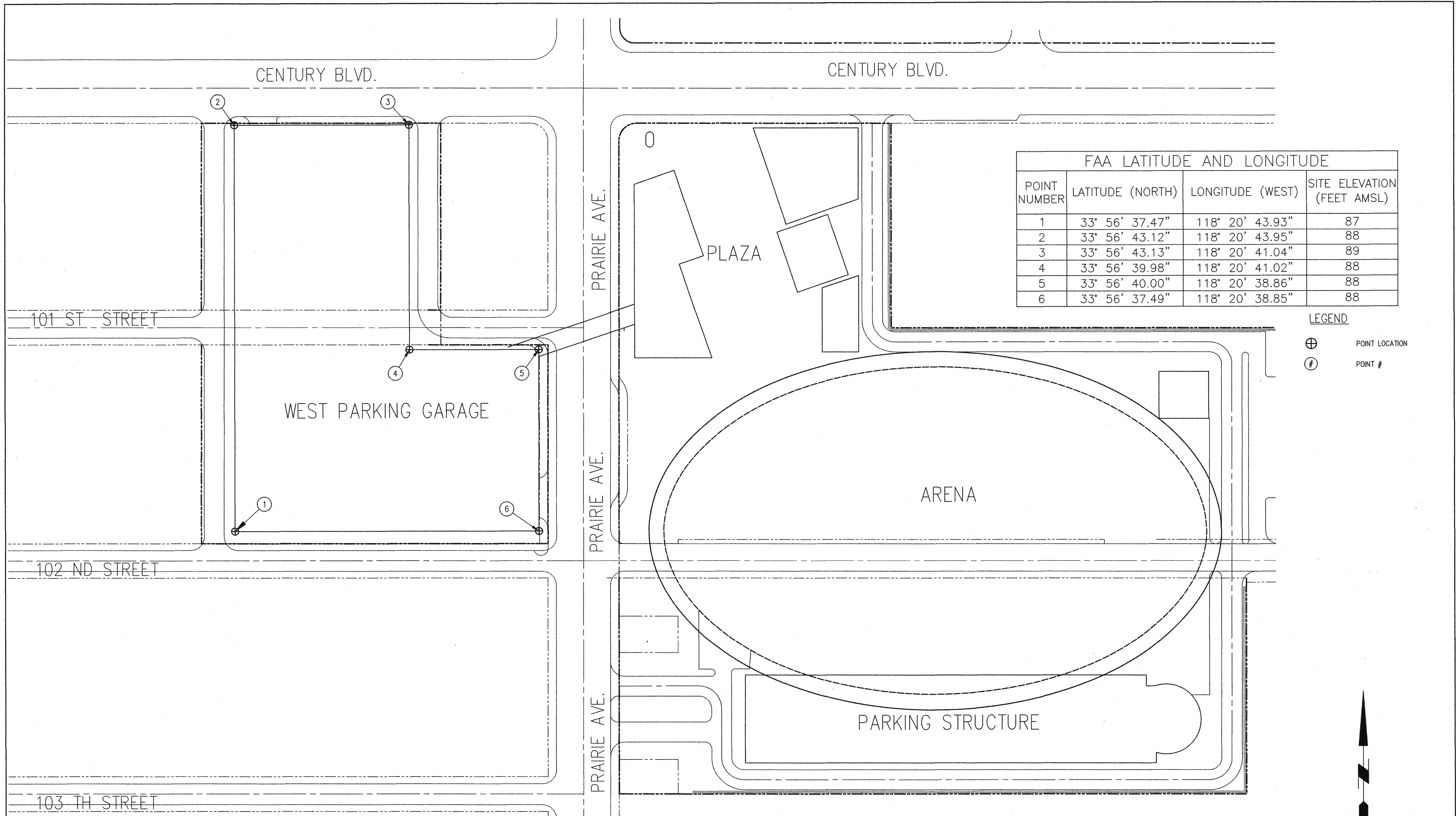
**INGLEWOOD BASKETBALL AND ENTERTAINMENT CENTER**

**PLAZA SIGN TOWER  
 FAA LATITUDE AND LONGITUDE EXHIBIT**

SCALE: AS SHOWN  
 DATE: 8/7/2019  
 SHIT NO.: 1 OF 1

Drawing Name: M:\17001\Eng\17001\Exhibits\17\_FAA Exhibits\BEC FAA Exhibit - Plaza Sign.dwg  
 Last Opened: Aug 07, 2019 - 12:33pm by: Boris





FAA LATITUDE AND LONGITUDE			
POINT NUMBER	LATITUDE (NORTH)	LONGITUDE (WEST)	SITE ELEVATION (FEET AMSL)
1	33° 56' 37.47"	118° 20' 43.93"	87
2	33° 56' 43.12"	118° 20' 43.95"	88
3	33° 56' 43.13"	118° 20' 41.04"	89
4	33° 56' 39.98"	118° 20' 41.02"	88
5	33° 56' 40.00"	118° 20' 38.86"	88
6	33° 56' 37.49"	118° 20' 38.85"	88

LEGEND  
 ⊕ POINT LOCATION  
 # POINT #

**LICENSED SURVEYOR'S CERTIFICATE**  
 I HAVE REVIEWED THE DATA SHOWN ON THIS SHEET AND CERTIFY THAT THE COORDINATES AND SITE ELEVATIONS ARE ACCURATE TO WITHIN +/- 20 FEET HORIZONTAL AND +/- 3 FEET VERTICALLY. THE HORIZONTAL DATUM (COORDINATES) ARE IN TERMS OF THE NORTHERN AMERICAN DATUM OF 1983 (NAD83) AND ARE EXPRESSED IN DEGREES, MINUTES, AND SECONDS. THE VERTICAL DATUM (HEIGHTS) ARE IN TERMS OF THE NORTH AMERICAN VERTICAL DATUM OF 1988 (NAVD88) AND ARE DETERMINED TO THE NEAREST FOOT.

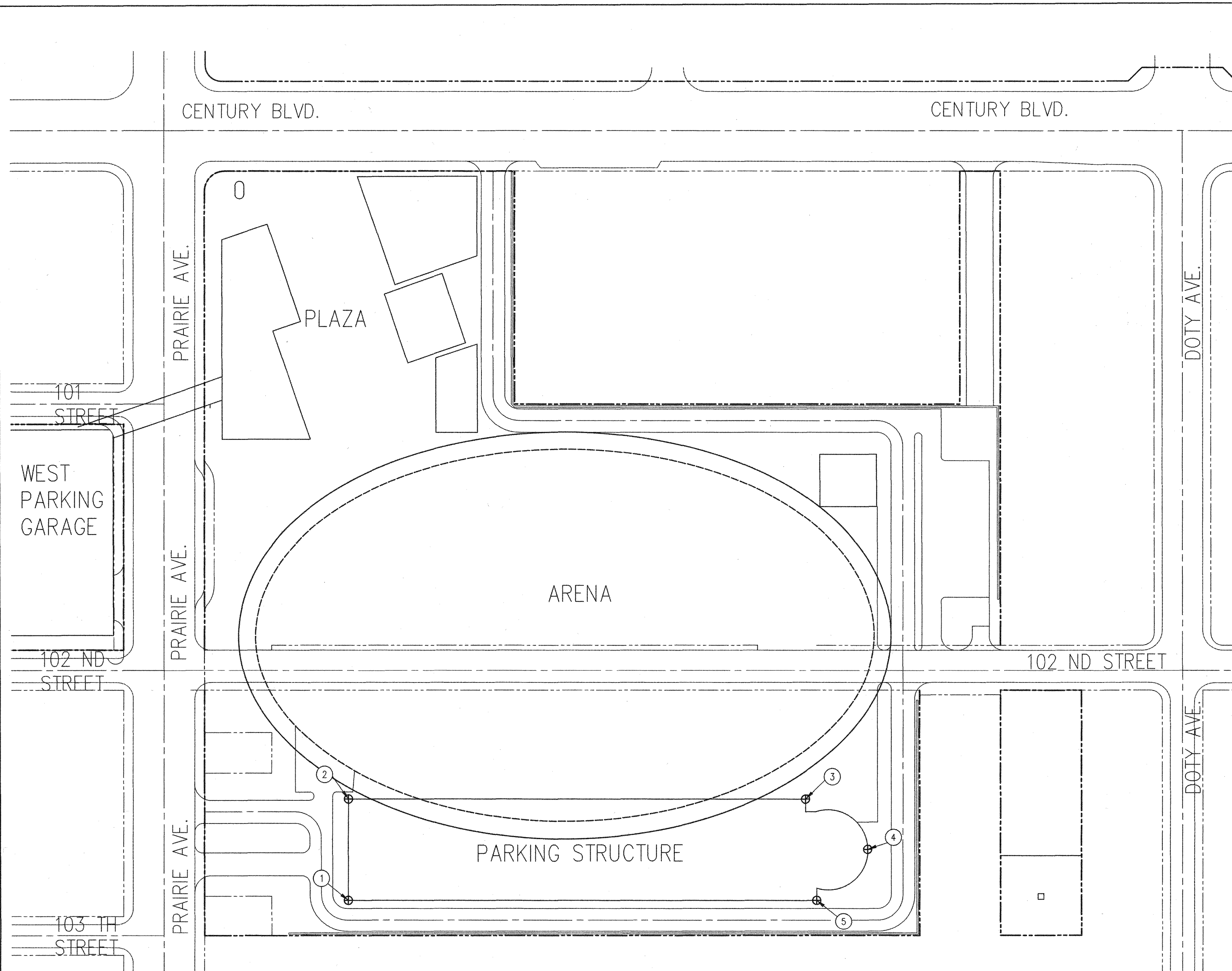
*Mark A. Monroe*  
 MARK A. MONROE, LS 8170  
 8/07/2019  
 DATE



**D & D ENGINEERING, INC.**  
 8901 S. LA CIENEGA BLVD, SUITE 106 -  
 INGLEWOOD, CA 90301  
 Phone: 424-351-6800

**INGLEWOOD BASKETBALL AND ENTERTAINMENT CENTER**  
 WEST PARKING GARAGE  
 FAA LATITUDE AND LONGITUDE EXHIBIT  
 SCALE: AS SHOWN  
 DATE: 8/7/2019  
 SHT NO.: 1 OF 1

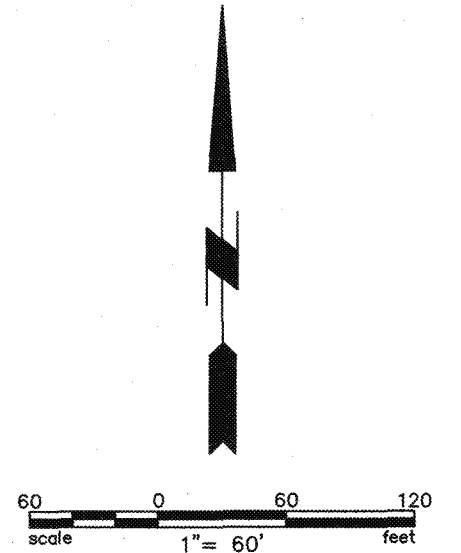
Drawing Name: M:\17001\Eng\17001\Exhibits\27\_FAA Exhibits\BEC FAA Exhibit - West PS.dwg  
 Last Opened: Aug 07, 2019 - 12:35pm by: Boris



FAA LATITUDE AND LONGITUDE			
POINT NUMBER	LATITUDE (NORTH)	LONGITUDE (WEST)	SITE ELEVATION (FEET AMSL)
1	33° 56' 34.25"	118° 20' 35.40"	88
2	33° 56' 35.48"	118° 20' 35.40"	90
3	33° 56' 35.49"	118° 20' 28.70"	90
4	33° 56' 34.88"	118° 20' 27.79"	90
5	33° 56' 34.26"	118° 20' 28.54"	89

LEGEND

- ⊕ POINT LOCATION
- Ⓜ POINT #



**LICENSED SURVEYOR'S CERTIFICATE**  
 I HAVE REVIEWED THE DATA SHOWN ON THIS SHEET AND CERTIFY THAT THE COORDINATES AND SITE ELEVATIONS ARE ACCURATE TO WITHIN +/- 20 FEET HORIZONTAL AND +/- 3 FEET VERTICALLY. THE HORIZONTAL DATUM (COORDINATES) ARE IN TERMS OF THE NORTHERN AMERICAN DATUM OF 1983 (NAD83) AND ARE EXPRESSED IN DEGREES, MINUTES, AND SECONDS. THE VERTICAL DATUM (HEIGHTS) ARE IN TERMS OF THE NORTH AMERICAN VERTICAL DATUM OF 1988 (NAVD88) AND ARE DETERMINED TO THE NEAREST FOOT.

*Mark A. Monroe*  
 MARK A. MONROE, LS 8170  
 8/07/2019  
 DATE



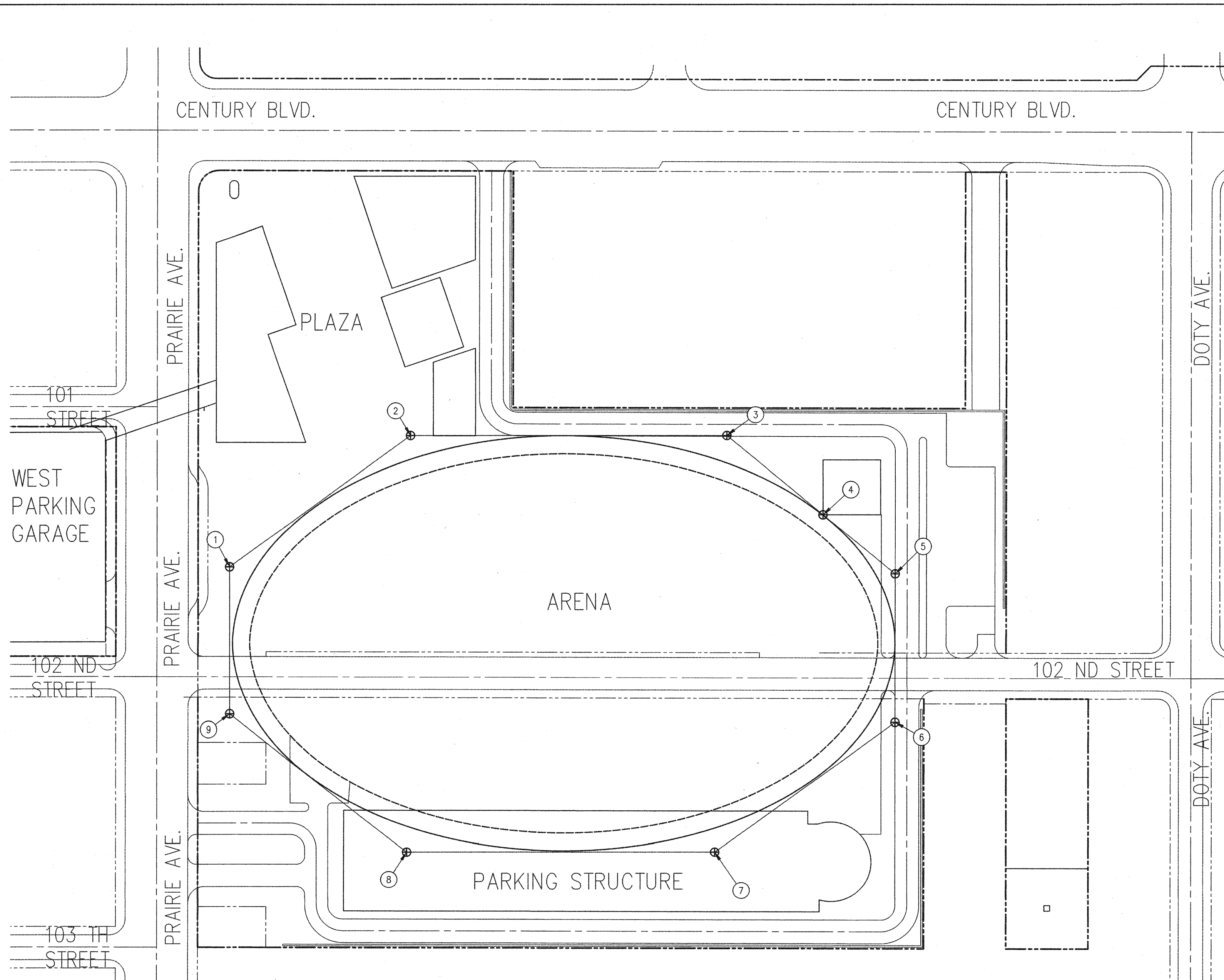
**D & D ENGINEERING, INC.**  
 8901 S. LA CIENEGA BLVD, SUITE 106  
 INGLEWOOD, CA 90301  
 Phone: 424-351-6800

**INGLEWOOD BASKETBALL AND ENTERTAINMENT CENTER**

**ARENA SOUTH PARKING STRUCTURE  
 FAA LATITUDE AND LONGITUDE EXHIBIT**

SCALE: AS SHOWN  
 DATE: 8/7/2019  
 SHEET NO.: 1 OF 1

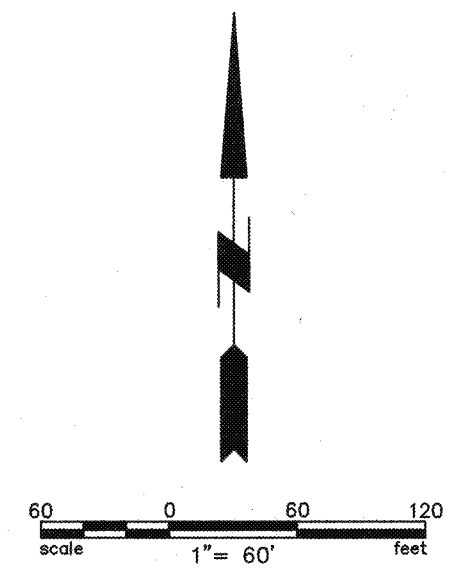
Drawing Name: M:\17000\Eng\17000\Exhibits\BEC FAA Exhibit - Arena PS.dwg  
 Last Opened: Aug 07, 2019 - 12:35pm by: Boris



FAA LATITUDE AND LONGITUDE			
POINT NUMBER	LATITUDE (NORTH)	LONGITUDE (WEST)	SITE ELEVATION (FEET AMSL)
1	33° 56' 38.40"	118° 20' 37.06"	90.5
2	33° 56' 39.98"	118° 20' 34.45"	90.5
3	33° 56' 39.99"	118° 20' 29.89"	90.5
4	33° 56' 39.05"	118° 20' 28.50"	90.5
5	33° 56' 38.35"	118° 20' 27.45"	90.5
6	33° 56' 36.55"	118° 20' 27.45"	90.5
7	33° 56' 34.99"	118° 20' 30.05"	90.5
8	33° 56' 34.98"	118° 20' 34.49"	90.5
9	33° 56' 36.62"	118° 20' 37.05"	90.5

LEGEND

- ⊕ POINT LOCATION
- # POINT #



**LICENSED SURVEYOR'S CERTIFICATE**  
 I HAVE REVIEWED THE DATA SHOWN ON THIS SHEET AND CERTIFY THAT THE COORDINATES AND SITE ELEVATIONS ARE ACCURATE TO WITHIN +/- 20 FEET HORIZONTAL AND +/- 3 FEET VERTICALLY. THE HORIZONTAL DATUM (COORDINATES) ARE IN TERMS OF THE NORTHERN AMERICAN DATUM OF 1983 (NAD83) AND ARE EXPRESSED IN DEGREES, MINUTES, AND SECONDS. THE VERTICAL DATUM (HEIGHTS) ARE IN TERMS OF THE NORTH AMERICAN VERTICAL DATUM OF 1988 (NAVD88) AND ARE DETERMINED TO THE NEAREST FOOT.

*Mark A. Monroe*  
 MARK A. MONROE, LS 8170  
 8/07/2019  
 DATE

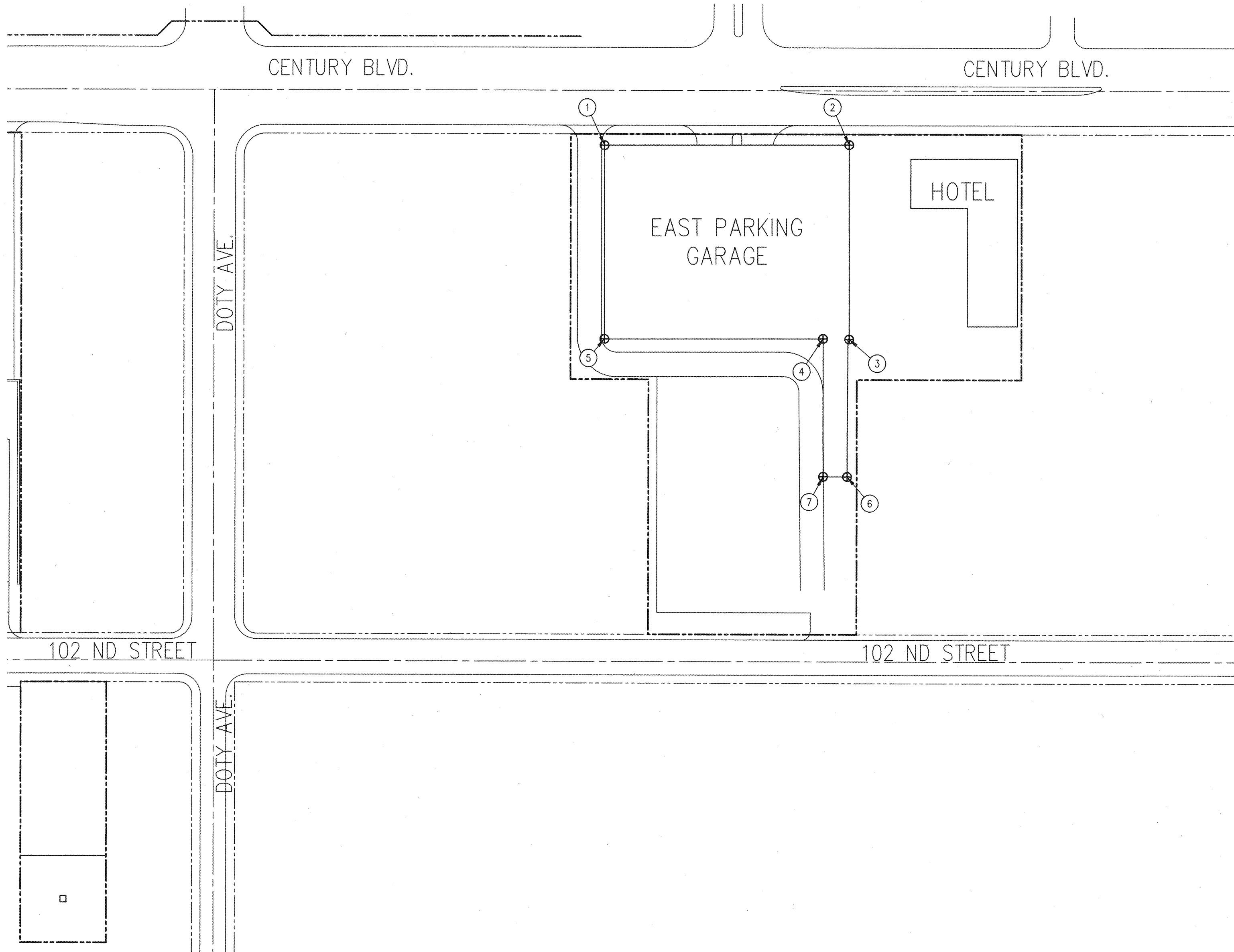


**D & D ENGINEERING, INC.**  
 8901 S. LA CIENEGA BLVD, SUITE 106  
 INGLEWOOD, CA 90304  
 Phone: 424-351-6800

**INGLEWOOD BASKETBALL AND ENTERTAINMENT CENTER**  
 ARENA BUILDING  
 FAA LATITUDE AND LONGITUDE EXHIBIT

SCALE: AS SHOWN  
 DATE: 8/7/2019  
 SHEET NO.: 1 OF 1

Drawing Name: M:\17001\Eng\17001\Exhibits\27\_FAA Exhibits\BEC FAA Exhibit - Arena.dwg  
 Last Opened: Aug 07, 2019 - 12:35pm by: Boris

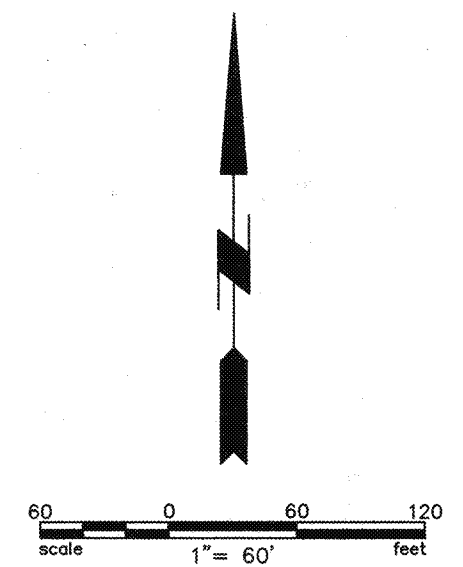


FAA LATITUDE AND LONGITUDE			
POINT NUMBER	LATITUDE (NORTH)	LONGITUDE (WEST)	SITE ELEVATION (FEET AMSL)
1	33° 56' 43.05"	118° 20' 17.78"	99
2	33° 56' 43.06"	118° 20' 14.40"	104
3	33° 56' 40.79"	118° 20' 14.39"	103
4	33° 56' 40.80"	118° 20' 14.75"	103
5	33° 56' 40.79"	118° 20' 17.77"	101
6	33° 56' 39.23"	118° 20' 14.41"	101
7	33° 56' 39.23"	118° 20' 14.74"	101

**LEGEND**

⊕ POINT LOCATION

# POINT #



**LICENSED SURVEYOR'S CERTIFICATE**  
 I HAVE REVIEWED THE DATA SHOWN ON THIS SHEET AND CERTIFY THAT THE COORDINATES AND SITE ELEVATIONS ARE ACCURATE TO WITHIN +/- 20 FEET HORIZONTAL AND +/- 3 FEET VERTICALLY. THE HORIZONTAL DATUM (COORDINATES) ARE IN TERMS OF THE NORTHERN AMERICAN DATUM OF 1983 (NAD83) AND ARE EXPRESSED IN DEGREES, MINUTES, AND SECONDS. THE VERTICAL DATUM (HEIGHTS) ARE IN TERMS OF THE NORTH AMERICAN VERTICAL DATUM OF 1988 (NAVD88) AND ARE DETERMINED TO THE NEAREST FOOT.

*Mark A. Monroe*  
 MARK A. MONROE, LS 8170  
 8/07/2019  
 DATE



**D & D ENGINEERING, INC.**  
 8901 S. LA CIENEGA BLVD, SUITE 106  
 INGLEWOOD, CA 90301  
 Phone: 424-351-6800

**INGLEWOOD BASKETBALL AND ENTERTAINMENT CENTER**

**EAST PARKING GARAGE  
 FAA LATITUDE AND LONGITUDE EXHIBIT**

SCALE: AS SHOWN  
 DATE: 8/7/2019  
 SHEET NO.: 1 OF 1

Drawing Name: M:\17001\Eng\17001\Exhibits\27\_FAA Exhibit\BEC FAA Exhibit - East\_PS.dwg  
 Last Opened: Aug 07, 2019 - 12:35pm by: Boris