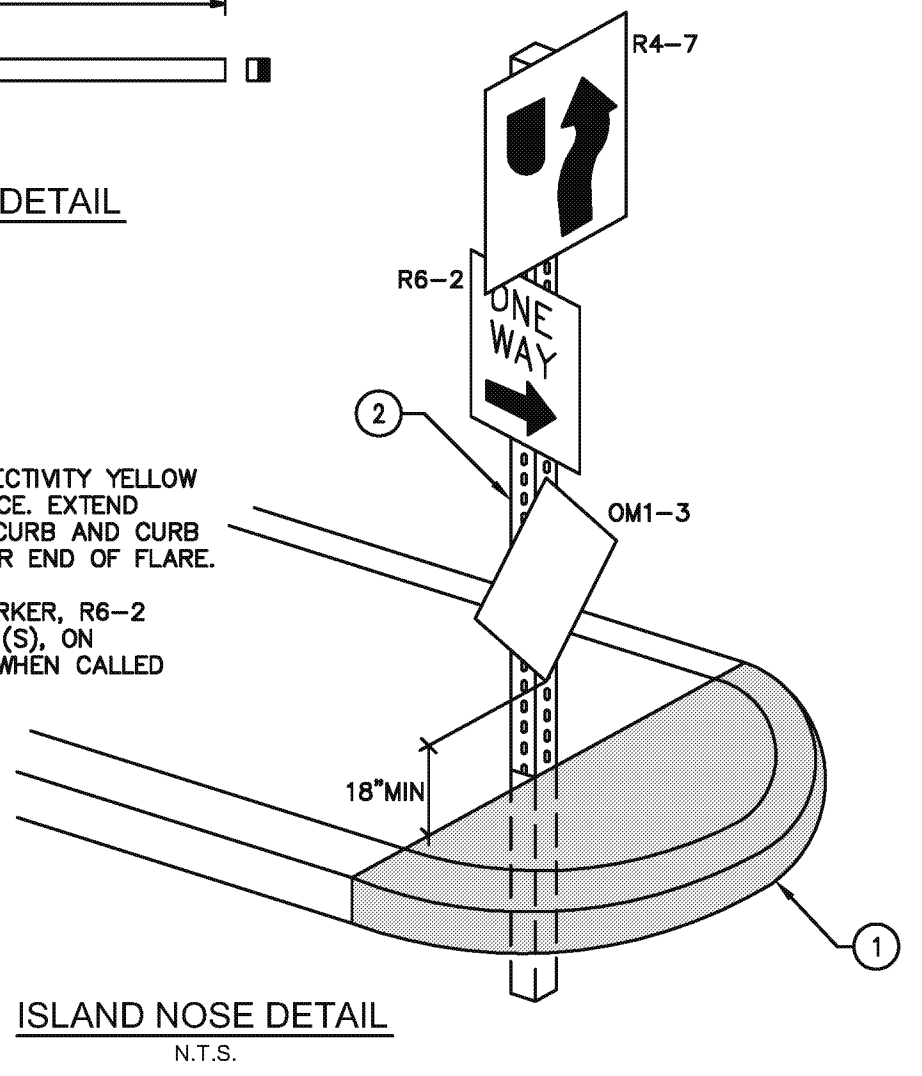


- NOTES:
- ① INSTALL HIGH REFLECTIVITY YELLOW PAINT ON CURB FACE. EXTEND PAINT ON TOP OF CURB AND CURB FACE TO BC, EC, OR END OF FLARE.
  - ② INSTALL OM1-3 MARKER, R6-2 AND/OR R4-7 SIGN(S), ON "TELESPAR" POST, WHEN CALLED FOR ON PLAN.



MATCH LINE - STA 92+00  
SEE BOTTOM LEFT FOR CONTINUATION

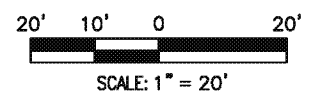
CURVE TABLE				
CURVE	R	Δ	L	T
A	60'	14°54'57"	15.62'	7.85'

- CONSTRUCTION NOTES:
- ① INSTALL 4" WHITE LINE AND PAVEMENT MARKERS PER DETAIL 9, CALTRANS STD. PLAN A20A.
  - ② INSTALL LEAD LINE PAVEMENT MARKERS PER "LEAD LINE DETAIL" ON SHEET SPD-101.
  - ③ INSTALL 8" WHITE LINE AND PAVEMENT MARKERS PER DETAIL 38, CALTRANS STD. PLAN A20D.
  - ⑦ INSTALL DOUBLE 4" YELLOW LINE AND PAVEMENT MARKERS PER DETAIL 22, CALTRANS STD PLAN A20A.
  - ⑧ INSTALL 4" WHITE LINE FOR LANE LINE EXTENSION THROUGH INTERSECTION PER DETAIL 40, CALTRANS STD. PLAN A20D.
  - ⑨ INSTALL TYPE IV, LEFT OR RIGHT, ARROW PER CALTRANS STD PLAN A24A.
  - ⑪ INSTALL TYPE VII (R) ARROW PER CALTRANS STD PLAN A24A.
  - ⑬ INSTALL 12" WHITE LIMIT LINE OR CROSSWALK PER CALTRANS STD PLAN A24E. CROSSWALK WIDTH=15' CLEAR.
  - ⑭ FURNISH AND INSTALL 1 POST ROADSIDE SIGN PER CALTRANS STD PLANS RS1.
  - ⑰ PAINT ISLAND NOSE YELLOW, SEE SPD-101 FOR DETAILS.
  - ⑳ INSTALL 4" YELLOW LINE FOR CENTERLINE EXTENSION THROUGH INTERSECTION PER DETAIL 41, CALTRANS STD PLAN A20D.
  - ㉑ INSTALL MEDIAN ISLAND DUAL DOUBLE 4" YELLOW LINE AND PAVEMENT MARKERS PER DETAIL 29, CALTRANS STD PLAN A20B.
  - ㉓ PROTECT IN PLACE EXISTING TRAFFIC SIGN.

SEE ABOVE RIGHT FOR CONTINUATION  
MATCH LINE - STA 92+00

MATCH LINE - STA 96+50  
SEE SHEET SPD-102 FOR CONTINUATION

- LEGEND:
- PROPOSED SIGNING OR STRIPING
  - ◊ EXISTING SIGNING OR STRIPING
  - Ⓢ SIGNALIZED INTERSECTION
  - ↑ 1 POST SIGN
  - 12" WHITE CROSSWALK OR LIMIT LINE
  - ⊙ PROPOSED PEDESTRIAN LIGHTING
  - ↔ TYPE IV ARROW
  - ↗ TYPE VII ARROW
  - STOP "STOP" PAVEMENT MARKING
  - BUS "BUS" PAVEMENT MARKING
  - ONLY "ONLY" PAVEMENT MARKING
  - ⊙ PROPOSED STREET LIGHTING
  - R/C RED CURB
  - Y/C YELLOW CURB



REVISIONS		
MARK	DATE	DESCRIPTION

**AECOM**

AECOM Technical Services, Inc.  
515 S. FLOWER ST., 4th FLOOR  
LOS ANGELES, CA 90071  
T 213.330.7200 F 213.330.7201  
www.aecom.com

Professional Engineer  
JOSEPH M. JOSEPH  
No. 92/30/18  
CIVIL  
STATE OF CALIFORNIA

CITY OF INGLEWOOD, CALIFORNIA  
PUBLIC WORKS DEPARTMENT

PROJECT TITLE:  
PLANS FOR IMPROVEMENT OF  
CENTURY BOULEVARD  
LA CIENEGA BLVD TO FELTON AVE  
SIGNS AND PVMT DELINEATION - 88+00 TO 96+50

DESIGNED BY: \_\_\_\_\_  
DRAWN BY: \_\_\_\_\_  
CHECKED BY: \_\_\_\_\_

SUBMITTED BY / APPROVED BY:  
VANESSA MUNOZ, RCE 97883 / CONSULTANT TRAFFIC ENGINEER

DATE: 5/18/2015

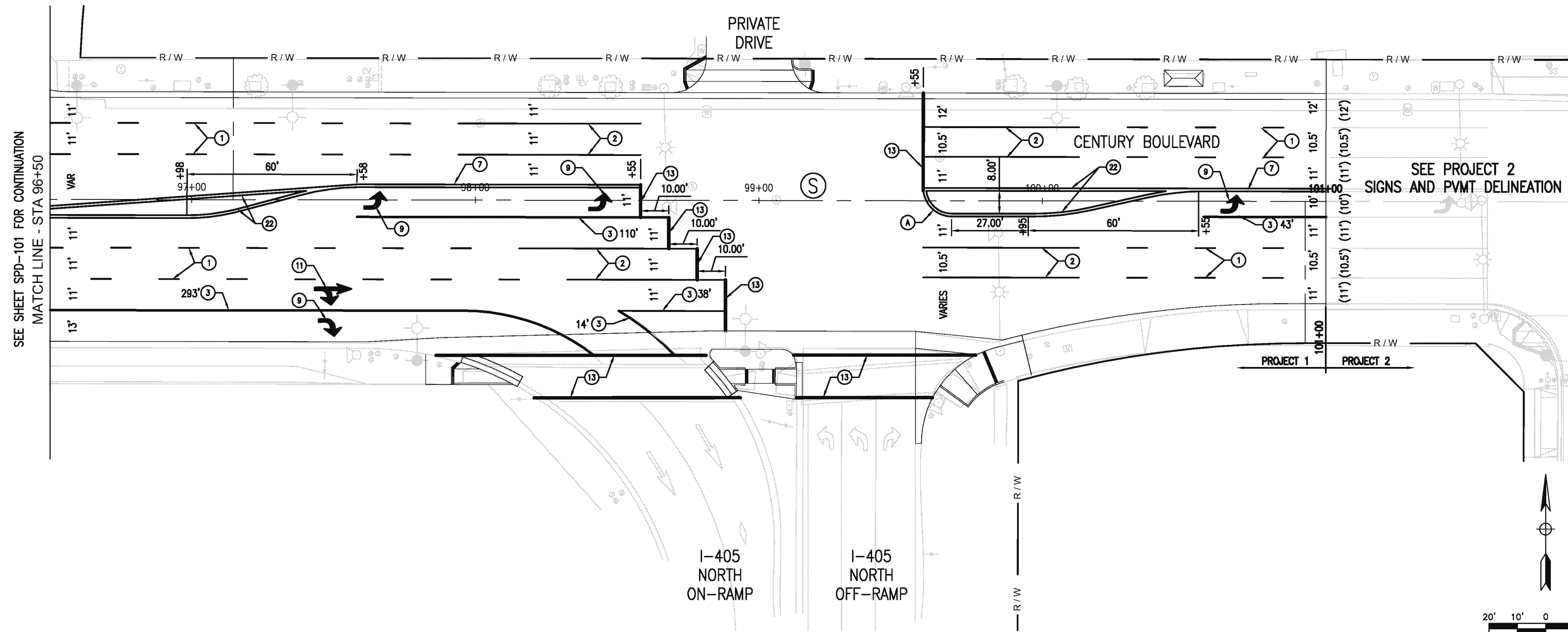
PLAN SCALE: 1"=20'  
PROFILE SCALE: VERTICAL N/A, HORIZONTAL N/A

PLAN NO.: SPD-101  
SHEET NO.: 15 OF 28

CURVE TABLE				
CURVE	R	Δ	L	T
A	10.00'	90°00'00"	15.70'	10.00'

LEGEND:

- PROPOSED SIGNING OR STRIPING
- ◇ EXISTING SIGNING OR STRIPING
- Ⓢ SIGNALIZED INTERSECTION
- 1 POST SIGN
- 12" WHITE CROSSWALK OR LIMIT LINE
- ⊙ PROPOSED PEDESTRIAN LIGHTING
- R/C RED CURB
- ↖ TYPE IV ARROW
- ↗ TYPE VII ARROW
- STOP "STOP" PAVEMENT MARKING
- BUS "BUS" PAVEMENT MARKING
- ONLY "ONLY" PAVEMENT MARKING
- PROPOSED STREET LIGHTING
- Y/C YELLOW CURB



CONSTRUCTION NOTES:

- ① INSTALL 4" WHITE LINE AND PAVEMENT MARKERS PER DETAIL 9, CALTRANS STD. PLAN A20A.
- ② INSTALL LEAD LINE PAVEMENT MARKERS PER "LEAD LINE DETAIL" ON SHEET SPD-101.
- ③ INSTALL 8" WHITE LINE AND PAVEMENT MARKERS PER DETAIL 38, CALTRANS STD. PLAN A20D.
- ⑦ INSTALL DOUBLE 4" YELLOW LINE AND PAVEMENT MARKERS PER DETAIL 22, CALTRANS STD PLAN A20A.
- ⑨ INSTALL TYPE IV, LEFT OR RIGHT, ARROW PER CALTRANS STD PLAN A24A.
- ⑪ INSTALL TYPE VII (R) ARROW PER CALTRANS STD PLAN A24A.
- ⑬ INSTALL 12" WHITE LIMIT LINE OR CROSSWALK PER CALTRANS STD PLAN A24E. CROSSWALK WIDTH=15' CLEAR.
- ⑳ INSTALL MEDIAN ISLAND DUAL DOUBLE 4" YELLOW LINE AND PAVEMENT MARKERS PER DETAIL 29, CALTRANS STD PLAN A20B.

SEE SHEET SPD-101 FOR CONTINUATION  
MATCH LINE - STA 96+50

SEE PROJECT 2  
SIGNS AND PVMT DELINEATION

PROJECT 1 PROJECT 2

**AECOM**  
 AECOM Technical Services, Inc.  
 515 S. FLOWER ST., 4th FLOOR  
 LOS ANGELES, CA 90071  
 T 213.330.7200 F 213.330.7201  
 www.aecom.com

PROFESSIONAL  
 CIVIL  
 STATE OF CALIFORNIA  
 No. 10447  
 Exp. 09/30/16

REVISIONS		
MARK	DATE	DESCRIPTION

CITY OF INGLEWOOD, CALIFORNIA  
 PUBLIC WORKS DEPARTMENT

PROJECT TITLE:  
**PLANS FOR IMPROVEMENT OF  
 CENTURY BOULEVARD  
 LA CIENEGA BLVD TO FELTON AVE  
 SIGNS AND PVMT DELINEATION - 96+50 TO 101+00**

DESIGNED BY: \_\_\_\_\_  
 DRAWN BY: \_\_\_\_\_  
 CHECKED BY: \_\_\_\_\_

SUBMITTED BY / APPROVED BY:  
 VANESSA MUNOZ, P.E. 67883 / CONSULTANT TRAFFIC ENGINEER

DATE: **5/18/2015**

PLAN NO. SPD-102  
 SHEET NO. 16 OF 28

Drawing Name: \\SLA1F5001\proj\SLA1F001\DWG\96010803\_CBR\_1\Inglewood\CAD\Civil\SPD-102.dwg  
Last Owner: May 14, 2015 9:24AM by: bason