

- CONSTRUCTION NOTES:**
- 1 INSTALL 4" WHITE LINE AND PAVEMENT MARKERS PER DETAIL 9, CALTRANS STD. PLAN A20A.
 - 2 INSTALL LEAD LINE PAVEMENT MARKERS PER "LEAD LINE DETAIL" ON SHEET SPD-201.
 - 3 INSTALL 8" WHITE LINE AND PAVEMENT MARKERS PER DETAIL 38, CALTRANS STD. PLAN A20D.
 - 4 INSTALL ROADSIDE SIGN USING STRAP AND SADDLE BRACKET METHOD PER CALTRANS STD PLAN RSA.
 - 7 INSTALL DOUBLE 4" YELLOW LINE AND PAVEMENT MARKERS PER DETAIL 22, CALTRANS STD PLAN A20A.
 - 9 INSTALL TYPE IV, LEFT OR RIGHT, ARROW PER CALTRANS STD PLAN A24A.
 - 13 INSTALL 12" WHITE LIMIT LINE OR CROSSWALK PER CALTRANS STD PLAN A24E. CROSSWALK WIDTH=15' CLEAR.
 - 15 FURNISH AND INSTALL 1 POST ROADSIDE SIGN IN MEDIAN PER CALTRANS STD PLANS RS1 WITH MODIFIED GROUND CLEARANCE OF 1.5' FROM BOTTOM OF SIGN.
 - 17 PAINT ISLAND NOSE YELLOW, SEE SPD-203 FOR DETAILS.
 - 19 INSTALL EDGE OF TRAVELED WAY PAVEMENT MARKERS PER DETAIL 26, CALTRANS STD PLAN A20B.

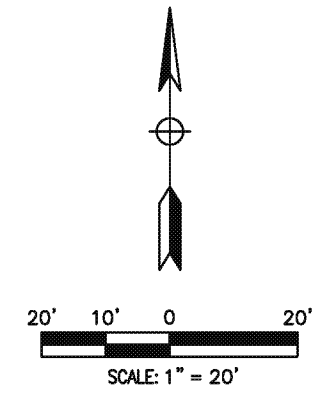
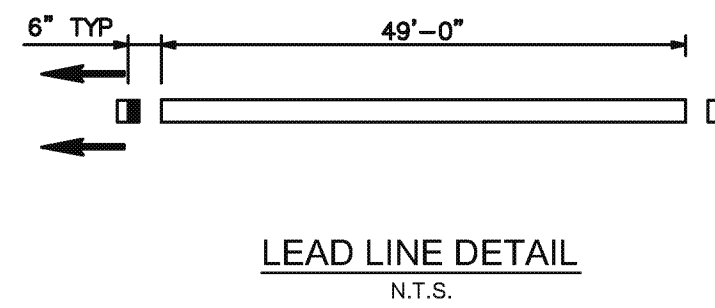
SEE ABOVE RIGHT FOR CONTINUATION
MATCH LINE - STA 104+00

MATCH LINE - STA 104+00
SEE BOTTOM LEFT FOR CONTINUATION

MATCH LINE - STA 108+00
SEE SHEET SPD-202 FOR CONTINUATION

LEGEND:

- PROPOSED SIGNING OR STRIPING
- EXISTING SIGNING OR STRIPING
- SIGNALIZED INTERSECTION
- "STOP" PAVEMENT MARKING
- "BUS" PAVEMENT MARKING
- "ONLY" PAVEMENT MARKING
- TYPE IV ARROW
- TYPE VII ARROW
- PROPOSED STREET LIGHTING
- PROPOSED PEDESTRIAN LIGHTING
- 1 POST SIGN
- 12" CROSSWALK OR LIMIT LINE
- R/C RED CURB
- Y/C YELLOW CURB



| REVISIONS | | |
|-----------|------|-------------|
| MARK | DATE | DESCRIPTION |
| | | |
| | | |

**CITY OF INGLEWOOD, CALIFORNIA
PUBLIC WORKS DEPARTMENT**

PROJECT TITLE:
**PLANS FOR IMPROVEMENT OF
CENTURY BOULEVARD
FELTON AVE TO INGLEWOOD AVE
SIGNS AND PVMT DELINEATION - 101+00 TO 108+00**

DESIGNED BY: _____
DRAWN BY: _____
CHECKED BY: _____

SUBMITTED BY / APPROVED BY:

VANESSA MUNOZ, RCE #7583 / CONSULTANT TRAFFIC ENGINEER

DATE: **5/18/2015**

PLAN SCALE:
1"=20'

PROFILE SCALE:
VERTICAL: N/A
HORIZONTAL: N/A

PLAN NO.
SPD-201

SHEET NO.
38 OF 67

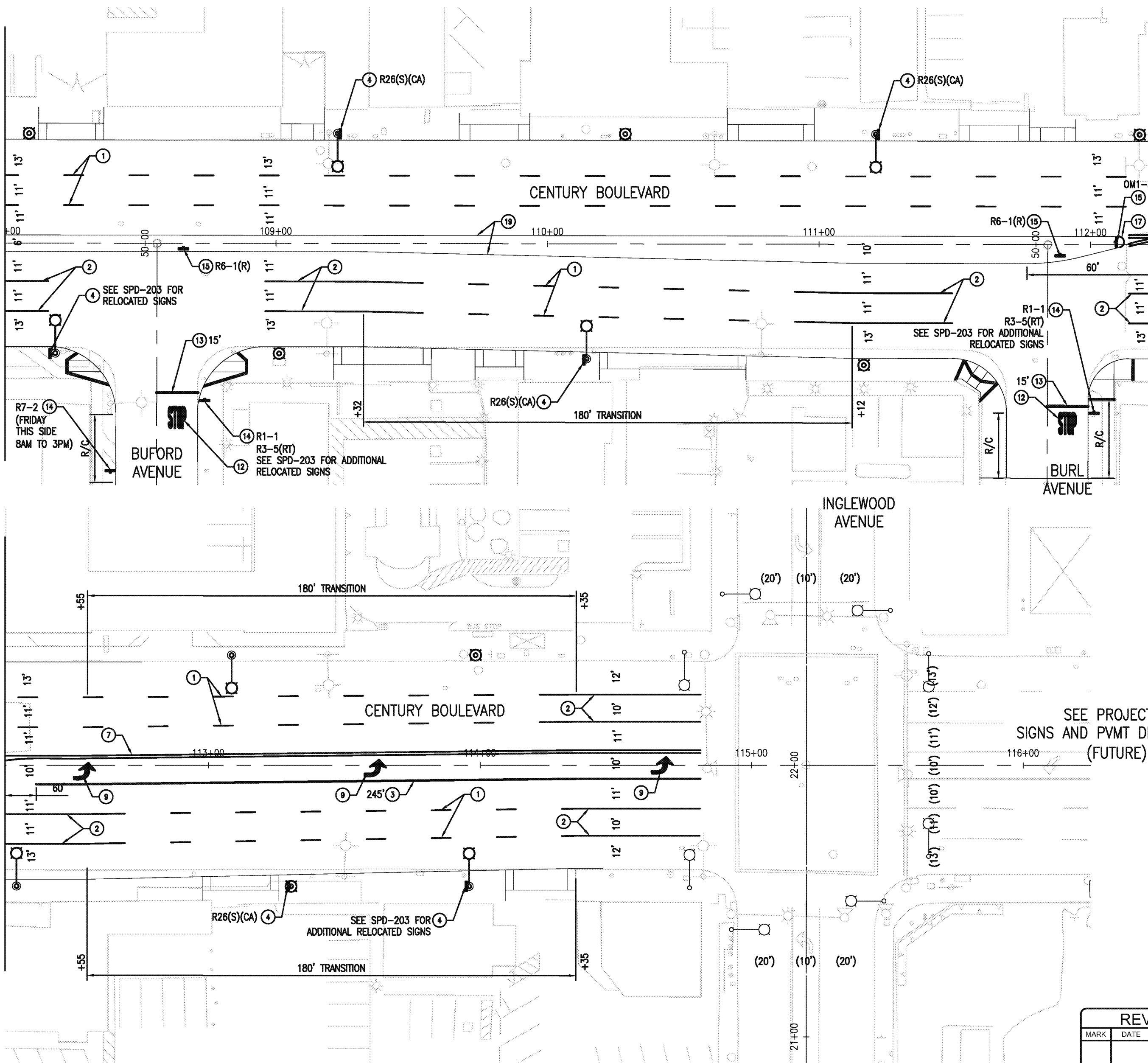
AECOM

AECOM Technical Services, Inc.
210 S. FLOWER ST., 4TH FLOOR
LOS ANGELES, CA 90071
T 213.330.7200 F 213.330.7201
www.aecom.com

SEE SHEET SPD-201 FOR CONTINUATION
MATCH LINE - STA 108+00

MATCH LINE - STA 112+25
SEE BOTTOM LEFT FOR CONTINUATION

SEE TOP RIGHT FOR CONTINUATION
MATCH LINE - STA 112+25



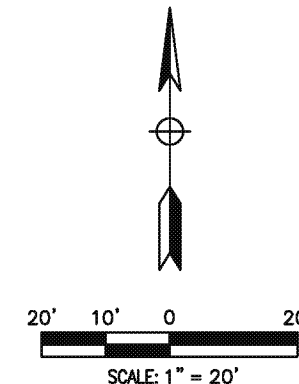
LEGEND:

- PROPOSED SIGNING OR STRIPING
- ◊ EXISTING SIGNING OR STRIPING
- ⊙ SIGNALIZED INTERSECTION
- 1 POST SIGN
- 12" CROSSWALK OR LIMIT LINE
- ⊙ PROPOSED PEDESTRIAN LIGHTING
- R/C RED CURB
- ↖ TYPE IV ARROW
- ↗ TYPE VII ARROW
- STOP "STOP" PAVEMENT MARKING
- BUS "BUS" PAVEMENT MARKING
- ONLY "ONLY" PAVEMENT MARKING
- PROPOSED STREET LIGHTING
- Y/C YELLOW CURB

CONSTRUCTION NOTES:

- 1 INSTALL 4" WHITE LINE AND PAVEMENT MARKERS PER DETAIL 9, CALTRANS STD. PLAN A20A.
- 2 INSTALL LEAD LINE PAVEMENT MARKERS PER "LEAD LINE DETAIL" ON SHEET SPD-201.
- 3 INSTALL 8" WHITE LINE AND PAVEMENT MARKERS PER DETAIL 38, CALTRANS STD. PLAN A20D.
- 4 INSTALL ROADSIDE SIGN USING STRAP AND SADDLE BRACKET METHOD PER CALTRANS STD PLAN RS4.
- 7 INSTALL DOUBLE 4" YELLOW LINE AND PAVEMENT MARKERS PER DETAIL 22, CALTRANS STD PLAN A20A.
- 9 INSTALL TYPE IV, LEFT OR RIGHT, ARROW PER CALTRANS STD PLAN A24A.
- 12 INSTALL PAVEMENT MARKING PER CALTRANS STD PLAN A24D AND A24E.
- 13 INSTALL 12" WHITE LIMIT LINE OR CROSSWALK PER CALTRANS STD PLAN A24E. CROSSWALK WIDTH=15' CLEAR.
- 14 FURNISH AND INSTALL 1 POST ROADSIDE SIGN PER CALTRANS STD PLANS RS1.
- 15 FURNISH AND INSTALL 1 POST ROADSIDE SIGN IN MEDIAN PER CALTRANS STD PLANS RS1 WITH MODIFIED GROUND CLEARANCE OF 1.5' FROM BOTTOM OF SIGN.
- 17 PAINT ISLAND NOSE YELLOW, SEE SPD-203 FOR DETAILS.
- 19 INSTALL EDGE OF TRAVELED WAY PAVEMENT MARKERS PER DETAIL 26, CALTRANS STD PLAN A20B.

SEE PROJECT 3
SIGNS AND PVMT DELINEATION
(FUTURE)



| REVISIONS | | |
|-----------|------|-------------|
| MARK | DATE | DESCRIPTION |
| | | |
| | | |

**CITY OF INGLEWOOD, CALIFORNIA
PUBLIC WORKS DEPARTMENT**

PROJECT TITLE:
**PLANS FOR IMPROVEMENT OF
CENTURY BOULEVARD
FELTON AVE TO INGLEWOOD AVE
SIGNS AND PVMT DELINEATION - 108+00 TO 116+25**

DESIGNED BY: _____
DRAWN BY: _____
CHECKED BY: _____

SUBMITTED BY / APPROVED BY:
[Signature]
VANESSA MUNOZ, RCE #1583 / CONSULTANT TRAFFIC ENGINEER

DATE: **5/18/2015**

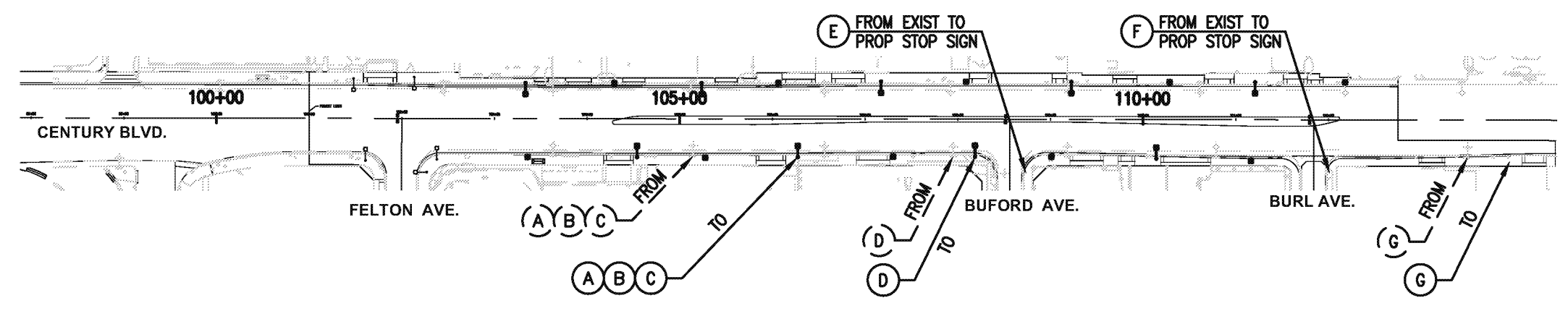
PLAN NO. SPD-202
SHEET NO. 39 OF 67

AECOM

AECOM Technical Services, Inc.
210 S. FLOWER ST., 4th FLOOR
LOS ANGELES, CA 90071
T 213.330.7200 F 213.330.7201
www.aecom.com

[Professional Engineer Seal: Joseph M. Joseph, State of California, License No. 10447, Exp. 09/30/16]

Drawing Name: W:\98160\98160_CBR - Inglewood\CAD\Civil\Sheet\Project 2 - Felton to Inglewood\18 Signs and PVMT\SPD-202.dwg
Last Operator: May 21, 2015 - 2:10PM by: jstamm



NOTES:

- ① INSTALL HIGH REFLECTIVITY YELLOW PAINT ON CURB FACE. EXTEND PAINT ON TOP OF CURB AND CURB FACE TO BC, EC, OR END OF FLARE.
- ② INSTALL OM1-3 MARKER, R6-2 AND/OR R4-7 SIGN(S), ON "TELESPAR" POST, WHEN CALLED FOR ON PLAN.

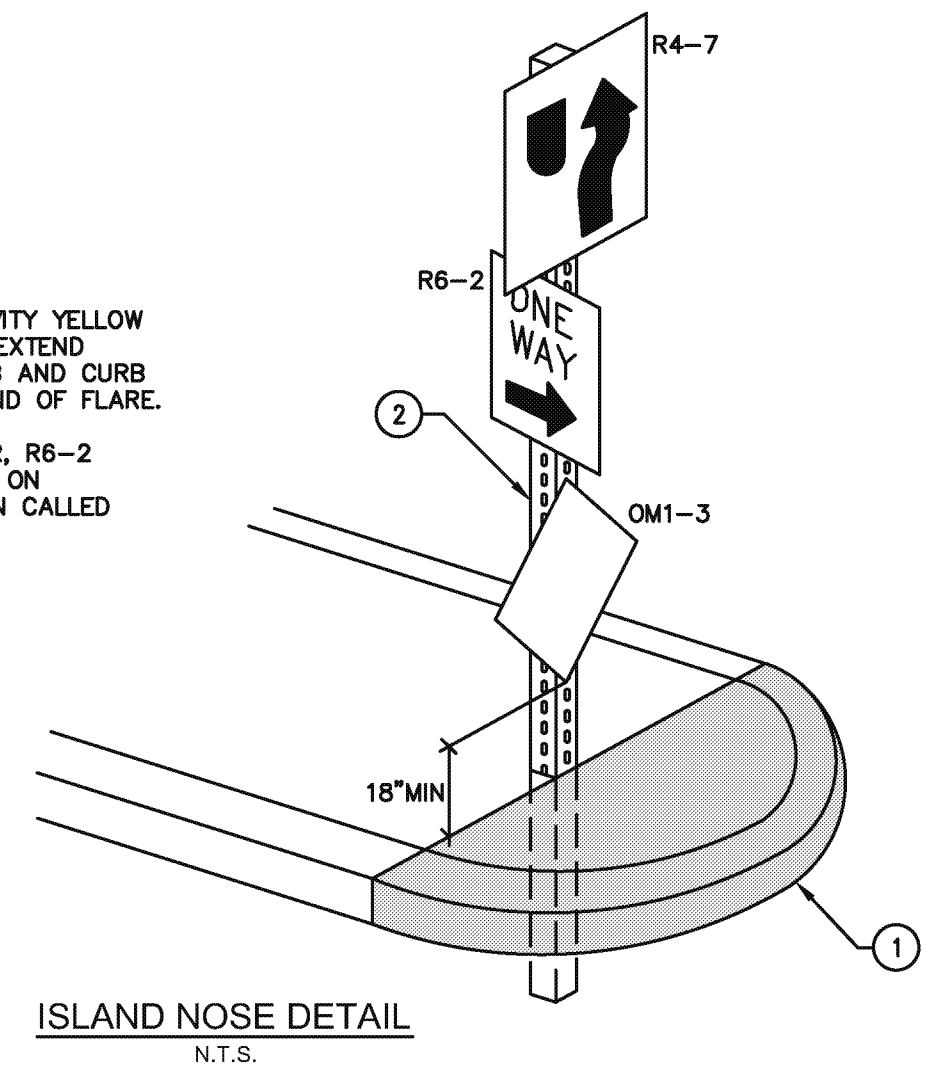


TABLE OF RELOCATED CITY INFORMATIONAL SIGNS

| SIGN ID | DESCRIPTION | SIGN TYPE |
|---------|---|---------------|
| A | Cherishing our Past - Embracing Our Future CITY OF INGLEWOOD 1908 - 100 years - 2008 (white) | INFORMATIONAL |
| B | Welcome to INGLEWOOD City of Champions James T. Butts, Jr. Mayor (blue) | INFORMATIONAL |
| C | Inglewood - All Streets Recreational Vehicle Parking Prohibited (white) | INFORMATIONAL |
| D | RACE TRACK (THRU ARROW) THE FORUM (blue) | GUIDE SIGN |
| E | STREET NAME SIGNS (CENTURY & BUFORD) | GUIDE SIGN |
| F | STREET NAME SIGNS (CENTURY & BURL) | GUIDE SIGN |
| G | EVANGELICAL FREE CHURCH 1 BLOCK (LEFT ARROW) (blue) | GUIDE SIGN |

| REVISIONS | | |
|-----------|------|-------------|
| MARK | DATE | DESCRIPTION |
| | | |
| | | |
| | | |
| | | |
| | | |
| | | |
| | | |
| | | |
| | | |

CITY OF INGLEWOOD, CALIFORNIA
PUBLIC WORKS DEPARTMENT

PROJECT TITLE:
**PLANS FOR IMPROVEMENT OF
CENTURY BOULEVARD
FELTON AVE TO INGLEWOOD AVE
SIGNS AND PVMT DELINEATION**

DESIGNED BY: _____
DRAWN BY: _____
CHECKED BY: _____

SUBMITTED BY / APPROVED BY:
[Signature]
VANESSA MUNOZ, RCE #7583 / CONSULTANT TRAFFIC ENGINEER

DATE: **5/18/2015**

PLAN NO.: **SPD-203**
SHEET NO.: **40 OF 67**

