



CONSTRUCTION NOTES

- 1 - CONSTRUCT CURB "TYPE A1" PER SPPWC STD PLAN 120-2, "CF" PER PLAN
- 2 - CONSTRUCT CURB AND GUTTER "TYPE A2" PER SPPWC STD PLAN 120-2, "CF" PER PLAN
- 3 - CONSTRUCT 4" THICK PCC SIDEWALK OVER 4" CMB, JOINTS PER SPPWC STD. PLAN 112-2
- 4 - CONSTRUCT CURB AND GUTTER - MOUNTABLE PER SPPWC STD 121-2, "CF" PER PLAN
- 5 - NOT USED
- 6 - BOLLARD PER METRO BRT DESIGN CRITERIA FIG. 3-5
- 7 - INSTALL 4" WHITE STRIPE (TYP)
- 8 - INSTALL PCC CONCRETE PAVEMENT, THICKNESS SHOWN ON PLAN
- 9 - INSTALL CRUSHED MISCELLANEOUS BASE (CMB) OVER COMPACTED NATIVE, THICKNESS SHOWN ON PLAN

LEGEND:

- 155 — * PROPOSED CONTOURS (0.2' INTERVAL)
- * GRADING TRANSITION LINE

GENERAL NOTES:

1. ALL WORK PERTAINING TO CURB, CURB AND GUTTER, SIDEWALK, AND PAVEMENT SHALL CONFORM TO THE LATEST EDITION AND SUPPLEMENTS OF THE STANDARDS AND SPECIFICATIONS FOR PUBLIC WORKS CONSTRUCTION (SPPWC, GREEN BOOK).
2. SIGNING AND STRIPING SHALL CONFORM TO 2010 CALTRANS STANDARD PLANS AND SPECIFICATIONS, THE CALIFORNIA MANUAL ON UNIFORM TRAFFIC CONTROL DEVICES (CA MUTCD 2012), THESE PLANS AND THE SPECIAL PROVISIONS.

NOTES:

1. SEE ARCHITECTURAL (A) PLANS FOR PROPOSED STATION IMPROVEMENTS.
2. EG ELEVATIONS REFER TO EXISTING GROUND ELEVATIONS.
3. SEE B-1.5- SIGNING AND STRIPING (GEO) PLANS FOR PROPOSED STRIPING IMPROVEMENTS.
4. SEE B-1.5- STREET MODIFICATION (CS) PLANS FOR PROPOSED ROADWAY IMPROVEMENTS.
5. SEE CIVIL GUIDEWAY (CG) PLANS FOR IMPROVEMENTS WITHIN PROPOSED GUIDEWAY.
6. FINISH GRADE (FG) ELEVATIONS REFER TO THE SURFACE ELEVATIONS WITHIN PROPOSED GUIDEWAY.
7. SEE PACKAGE PW 23 - STATIONS LANDSCAPING FOR SURFACE TREATMENT WITHIN THE PLAZA AREA.
8. SEE LANDSCAPE (L) PLANS FOR PROPOSED LANDSCAPING IMPROVEMENTS.
9. SEE SIGN DETAIL (ZA) PLANS FOR PAVEMENT MARKING AND SIGNS PERTAINING TO PARKING REGULATION



PACKAGE B-1.4

M Metro

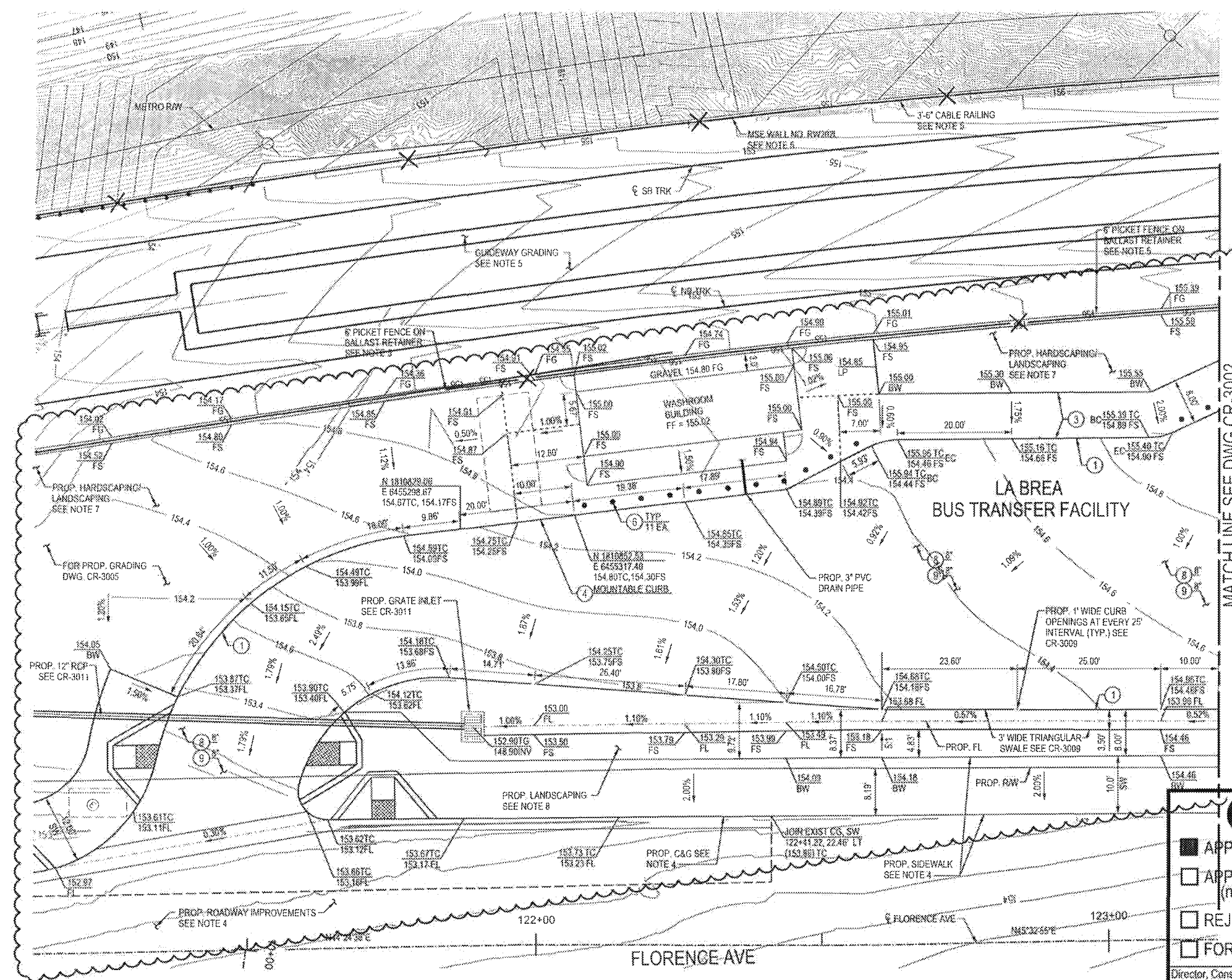
APPROVED

APPROVED AS NOTED (no resubmittal required)

REJECTED, REVISE & RESUBMIT

FOR RECORD ONLY

Director, Construction MGR/Engineer: *[Signature]* Date: 9/20/16



THE PREPARATION OF THIS DRAWING HAS BEEN FINANCED IN PART THROUGH A GRANT FROM THE U.S. DEPARTMENT OF TRANSPORTATION FEDERAL TRANSIT ADMINISTRATION (FTA) UNDER THE FEDERAL TRANSIT ACT OF 1964, AS AMENDED, AND IN PART BY THE TAXES OF THE CITIZENS OF LOS ANGELES COUNTY AND OF THE STATE OF CALIFORNIA.

REV	DATE	BY	APP	REG NO	EXPIRES	SEAL HOLDER	DESCRIPTION
0	5/21/15	DP	[Signature]	65608	09/30/17	NOAH BUSCH	NDC 130
				65608	09/30/15	NOAH BUSCH	AFC SUBMITTAL

DESIGNED BY
ERIC NHAN

DRAWN BY
DAVID PARDEZ

CHECKED BY
RAVI PUDIPEDDI

IN CHARGE
NOAH BUSCH

DATE
5/21/15

A SIGNED & SEALED ORIGINAL OF REV 0 OF THIS DRAWING IS MAINTAINED BY WSCC

M Metro LOS ANGELES COUNTY METROPOLITAN TRANSPORTATION AUTHORITY

WALSH-SHEA CORRIDOR CONSTRUCTORS

1777 Oakland Blvd.
Walnut Creek, CA 94596

HNTB STEVE WHITAKER

V&A INC. NOAH BUSCH

CRENSHAW/LAX
TRANSIT CORRIDOR PROJECT
FLORENCE / LA BREA STATION
BUS TRANSFER FACILITY GRADING
SHEET 1 OF 3

CONTRACT NO	C0988
DRAWING NO	CR-3001
SCALE	1" = 10'
SHEET NO	1



CONSTRUCTION NOTES

- 1 - CONSTRUCT CURB "TYPE A1" PER SPPWC STD PLAN 120-2, "CF" PER PLAN
- 2 - CONSTRUCT CURB AND GUTTER "TYPE A2" PER SPPWC STD PLAN 120-2, "CF" PER PLAN
- 3 - CONSTRUCT 4" THICK PCC SIDEWALK OVER 4" CMB, JOINTS PER SPPWC STD. PLAN 112-2
- 4 - CONSTRUCT CURB AND GUTTER - MOUNTABLE PER SPPWC STD 121-2, "CF" PER PLAN
- 5 - NOT USED
- 6 - BOLLARD PER METRO BRT DESIGN CRITERIA FIG. 3-5
- 7 - INSTALL 4" WHITE STRIPE (TYP)
- 8 - INSTALL PCC CONCRETE PAVEMENT, THICKNESS SHOWN ON PLAN
- 9 - INSTALL CRUSHED MISCELLANEOUS BASE (CMB) OVER COMPACTED NATIVE, THICKNESS SHOWN ON PLAN

LEGEND:

— 155 — = PROPOSED CONTOURS (0.2' INTERVAL)

GENERAL NOTES:

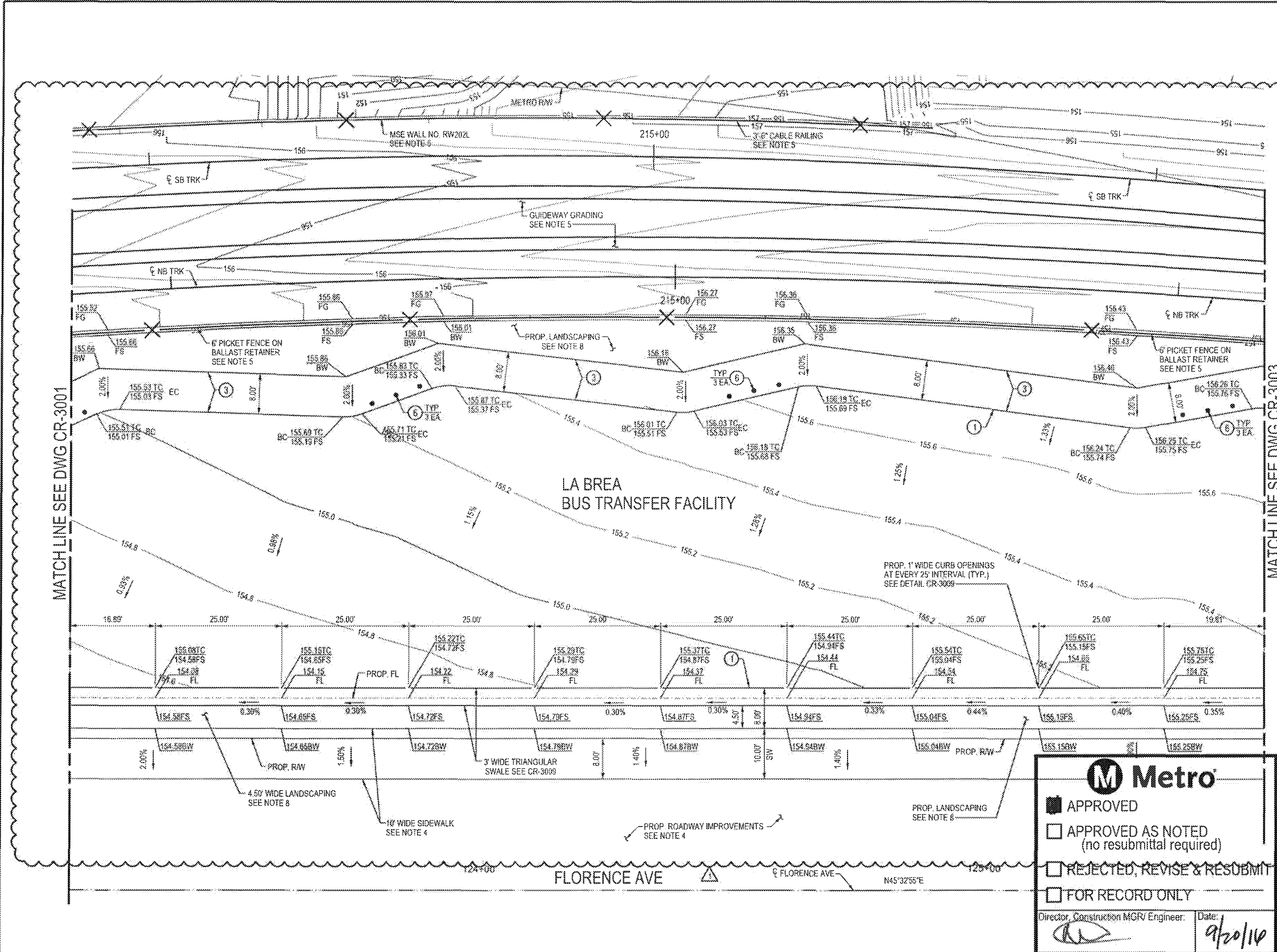
1. ALL WORK PERTAINING TO CURB, CURB AND GUTTER, SIDEWALK, AND PAVEMENT SHALL CONFORM TO THE LATEST EDITION AND SUPPLEMENTS OF THE STANDARDS AND SPECIFICATIONS FOR PUBLIC WORKS CONSTRUCTION (SPPWC, GREEN BOOK).
2. SIGNING AND STRIPING SHALL CONFORM TO 2010 CALTRANS STANDARD PLANS AND SPECIFICATIONS, THE CALIFORNIA MANUAL ON UNIFORM TRAFFIC CONTROL DEVICES (CA MUTCD 2012), THESE PLANS AND THE SPECIAL PROVISIONS.

NOTES:

1. SEE ARCHITECTURAL (A) PLANS FOR PROPOSED STATION IMPROVEMENTS.
2. EG ELEVATIONS REFER TO EXISTING GROUND ELEVATIONS.
3. SEE B-1-5- SIGNING AND STRIPING (GEO) PLANS FOR PROPOSED STRIPING IMPROVEMENTS.
4. SEE B-1-5- STREET MODIFICATION (CS) PLANS FOR PROPOSED ROADWAY IMPROVEMENTS.
5. SEE CIVIL GUIDEWAY (CG) PLANS FOR IMPROVEMENTS WITHIN PROPOSED GUIDEWAY.
6. FINISH GRADE (FG) ELEVATIONS REFER TO THE SURFACE ELEVATIONS WITHIN PROPOSED GUIDEWAY.
7. SEE PACKAGE PW 23 - STATIONS LANDSCAPING FOR SURFACE TREATMENT WITHIN THE PLAZA AREA
8. SEE LANDSCAPE (L) PLANS FOR PROPOSED LANDSCAPING IMPROVEMENTS.
9. SEE SIGN DETAIL (ZA) PLANS FOR PAVEMENT MARKING AND SIGNS PERTAINING TO PARKING REGULATION

MATCH LINE SEE DWG CR-3001

MATCH LINE SEE DWG CR-3003



M Metro

APPROVED

APPROVED AS NOTED (no resubmittal required)

REJECTED, REVISE & RESUBMIT

FOR RECORD ONLY

Director, Construction MGR/Engineer: _____ Date: 9/20/14



PACKAGE B-1.4

THE PREPARATION OF THIS DRAWING HAS BEEN FINANCED IN PART THROUGH A GRANT FROM THE U.S. DEPARTMENT OF TRANSPORTATION, FEDERAL TRANSIT ADMINISTRATION (FTA), UNDER THE FEDERAL TRANSIT ACT OF 1964, AS AMENDED, AND IN PART BY THE TAXES OF THE CITIZENS OF LOS ANGELES COUNTY AND OF THE STATE OF CALIFORNIA.

REV	DATE	BY	APP	REG NO	EXPIRES	SEAL HOLDER	DESCRIPTION
0	5/21/15	DP	NOAH BUSCH	65608	09/30/17	NDC 136	AFC SUBMITTAL

DESIGNED BY
ERIC NHAN
DRAWN BY
DAVID PARDEZ
CHECKED BY
RAVI PUDIPEDDI
NOAH BUSCH
DATE
5/21/15

A SIGNED & SEALED ORIGINAL OF REV 0 OF THIS DRAWING IS MAINTAINED BY WSCC

M Metro
LOS ANGELES COUNTY METROPOLITAN TRANSPORTATION AUTHORITY

WALSH-SHEA CORRIDOR CONSTRUCTORS
1777 Oakland Blvd.
Walnut Creek, CA 94596

HNTB
STEVE WHITAKER
APPROVED

V&A INC.
NOAH BUSCH
SUBMITTED

**CRENSHAW/LAX
TRANSIT CORRIDOR PROJECT
FLORENCE / LA BREA STATION
BUS TRANSFER FACILITY GRADING
SHEET 2 OF 3**

CONTRACT NO.	C0988
DRAWING NO.	CR-3002
SCALE	1" = 10'
SHEET NO.	1

NOTES:

1. SEE ARCHITECTURAL (A) PLANS FOR PROPOSED STATION IMPROVEMENTS.
2. EG ELEVATIONS REFER TO EXISTING GROUND ELEVATIONS.
3. SEE B-1.5- SIGNING AND STRIPING (GEO) PLANS FOR PROPOSED STRIPING IMPROVEMENTS.
4. SEE B-1.5- STREET MODIFICATION (CS) PLANS FOR PROPOSED ROADWAY IMPROVEMENTS.

5. SEE CIVIL GUIDEWAY (CG) PLANS FOR IMPROVEMENTS WITHIN PROPOSED GUIDEWAY.
6. FINISH GRADE (FG) ELEVATIONS REFER TO THE SURFACE ELEVATIONS WITHIN PROPOSED GUIDEWAY.
7. SEE PACKAGE PW 23 - STATIONS LANDSCAPING FOR SURFACE TREATMENT WITHIN THE PLAZA AREA.
8. SEE LANDSCAPE (L) PLANS FOR PROPOSED LANDSCAPING IMPROVEMENTS.
9. SEE SIGN DETAIL (ZA) PLANS FOR PAVEMENT MARKING AND SIGNS PERTAINING TO PARKING REGULATION.

CONSTRUCTION NOTES

- 1 - CONSTRUCT CURB "TYPE A1" PER SPPWC STD PLAN 120-2, "CF" PER PLAN "CF" PER PLAN
- 2 - CONSTRUCT CURB AND GUTTER "TYPE A2" PER SPPWC STD PLAN 120-2, "CF" PER PLAN
- 3 - CONSTRUCT 4" THICK PCC SIDEWALK OVER 4" CMB, JOINTS PER SPPWC STD. PLAN 112-2
- 4 - CONSTRUCT CURB AND GUTTER - MOUNTABLE PER SPPWC STD 121-2, "CF" PER PLAN
- 5 - NOT USED
- 6 - BOLLARD PER METRO BRT DESIGN CRITERIA FIG. 3-5
- 7 - INSTALL 4" WHITE STRIPE (TYP)
- 8 - INSTALL PCC CONCRETE PAVEMENT, THICKNESS SHOWN ON PLAN
- 9 - INSTALL CRUSHED MISCELLANEOUS BASE (CMB) OVER COMPACTED NATIVE, THICKNESS SHOWN ON PLAN

LEGEND:

— 155 — = PROPOSED CONTOURS (0.2' INTERVAL)

GENERAL NOTES:

1. ALL WORK PERTAINING TO CURB, CURB AND GUTTER, SIDEWALK, AND PAVEMENT SHALL CONFORM TO THE LATEST EDITION AND SUPPLEMENTS OF THE STANDARDS AND SPECIFICATIONS FOR PUBLIC WORKS CONSTRUCTION (SPPWC, GREEN BOOK).
2. SIGNING AND STRIPING SHALL CONFORM TO 2010 CALTRANS STANDARD PLANS AND SPECIFICATIONS, THE CALIFORNIA MANUAL ON UNIFORM TRAFFIC CONTROL DEVICES (CA MUTCD 2012), THESE PLANS AND THE SPECIAL PROVISIONS.

M Metro

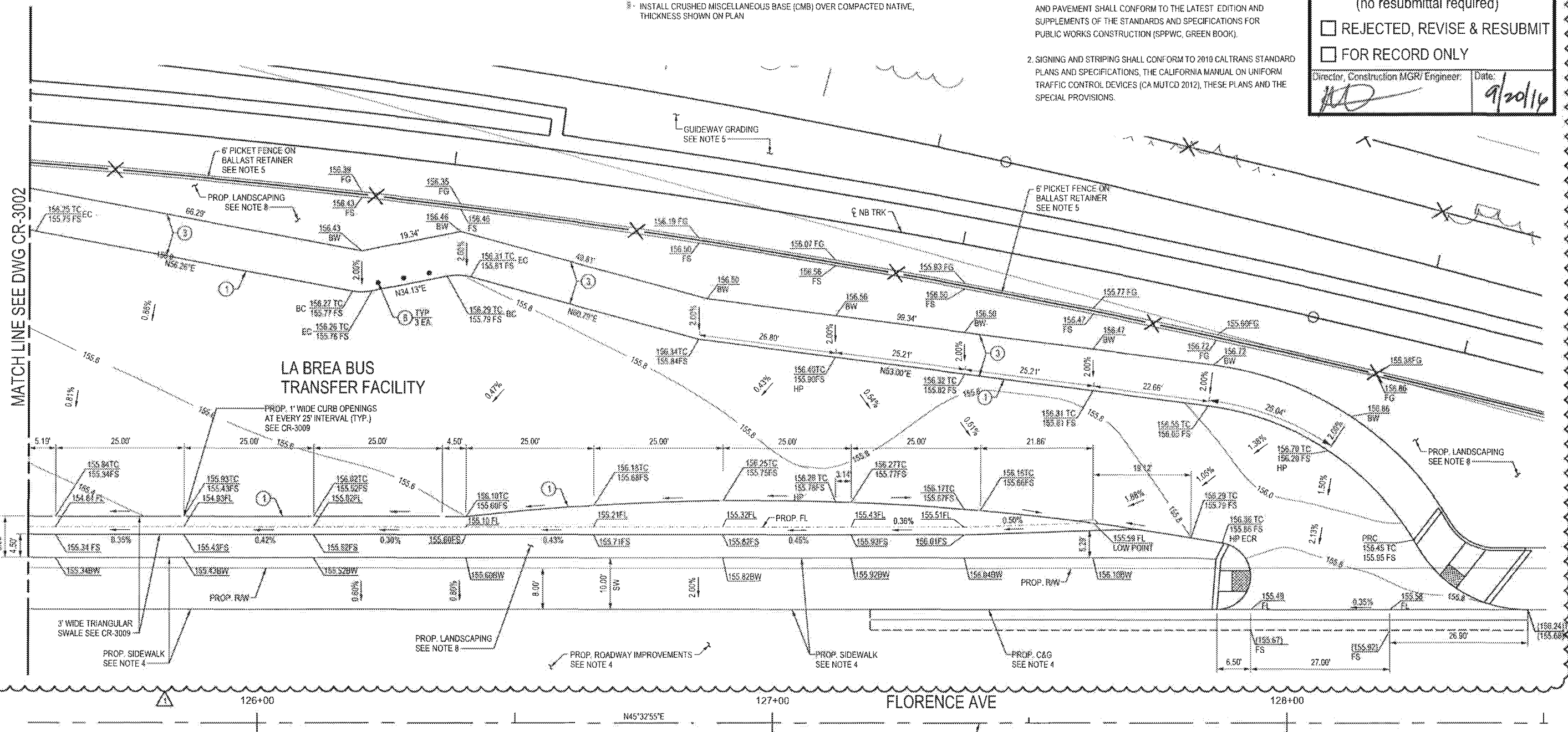
APPROVED

APPROVED AS NOTED (no resubmittal required)

REJECTED, REVISE & RESUBMIT

FOR RECORD ONLY

Director, Construction MGR/ Engineer: *[Signature]* Date: *9/20/14*



THE PREPARATION OF THIS DRAWING HAS BEEN FINANCED IN PART THROUGH A GRANT FROM THE U.S. DEPARTMENT OF TRANSPORTATION, FEDERAL TRANSIT ADMINISTRATION (FTA), UNDER THE FEDERAL TRANSIT ACT OF 1964, AS AMENDED, AND IN PART BY THE TAXES OF THE CITIZENS OF LOS ANGELES COUNTY AND OF THE STATE OF CALIFORNIA.

REV	DATE	BY	APP	REG NO	EXPIRES	SEAL HOLDER	DESCRIPTION
0	7/15/16	DP	[Signature]	65608	09/30/17	NDC 130	
0	5/21/15			65608	09/30/15	NOAH BUSCH	AFC SUBMITTAL

DESIGNED BY
ERIC NHAN
DRAWN BY
DAVID PARDEZ
CHECKED BY
RAVI PUDIPEDDI
REDESIGNED BY
NOAH BUSCH
DATE
5/21/15

A SIGNED & SEALED ORIGINAL OF REV 0 OF THIS DRAWING IS MAINTAINED BY WSCC

M Metro

LOS ANGELES COUNTY METROPOLITAN TRANSPORTATION AUTHORITY

WALSH-SHEA CORRIDOR CONSTRUCTORS

1777 Oakland Blvd.
Walnut Creek, CA 94596

HNTB

STEVE WHITAKER
APPROVED

V&A INC.

3305 HOWITT ST. SUITE 121
LOS ANGELES, CA 90013
213 972 9700

NOAH BUSCH
SUBMITTED

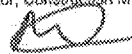
**CRENSHAW/LAX
TRANSIT CORRIDOR PROJECT
FLORENCE / LA BREA STATION
BUS TRANSFER FACILITY GRADING
SHEET 3 OF 3**

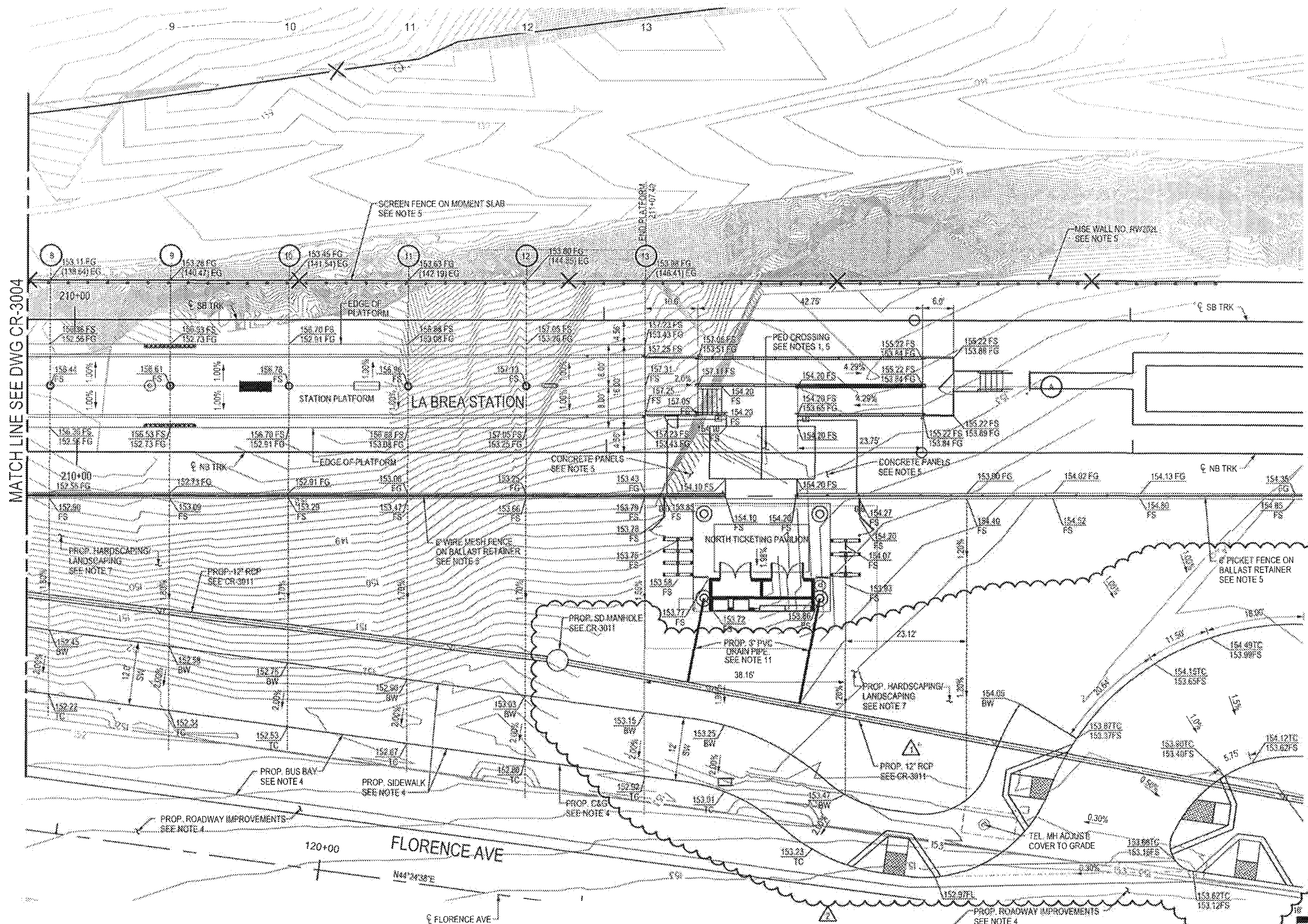
CONTRACT NO	C0988
DRAWING NO	CR-3003
SCALE	1" = 10'
SHEET NO	1

PACKAGE B-1.4



- APPROVED
- APPROVED AS NOTED (no resubmittal required)
- REJECTED, REVISE & RESUBMIT
- FOR RECORD ONLY

Director, Construction MGR/ Engineer:  Date: 9/26/14

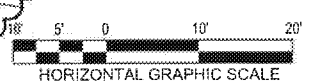


ABBREVIATIONS:

- FS FINISH SURFACE
- EG EXISTING GROUND
- FG FINISHED GRADE

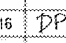
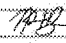
NOTES:

1. SEE ARCHITECTURAL (A) PLANS FOR PROPOSED STATION IMPROVEMENTS.
2. EG ELEVATIONS REFER TO EXISTING GROUND ELEVATIONS.
3. SEE B-1.5- SIGNING AND STRIPING (GEO) PLANS FOR PROPOSED STRIPING IMPROVEMENTS.
4. SEE B-1.5- STREET MODIFICATION (CS) PLANS FOR PROPOSED ROADWAY IMPROVEMENTS.
5. SEE CIVIL GUIDEWAY (CG) PLANS FOR IMPROVEMENTS WITHIN PROPOSED GUIDEWAY.
6. FINISH GRADE (FG) ELEVATIONS REFER TO THE SURFACE ELEVATIONS WITHIN PROPOSED GUIDEWAY.
7. SEE PACKAGE PW 23 - STATIONS LANDSCAPING FOR SURFACE TREATMENT WITHIN THE PLAZA AREA.
8. SEE HARDSCAPE/LANDSCAPE (L) PLANS FOR PROPOSED LANDSCAPING IMPROVEMENTS.
9. SEE SIGN DETAIL (ZA) PLANS FOR PAVEMENT MARKING AND SIGNS PERTAINING TO PARKING REGULATION.
10. SEE PACKAGE PW 23 - STATIONS LANDSCAPING FOR SURFACE TREATMENT WITHIN THE PLAZA AREA.
11. SEE PLUMBING (P) PLANS FOR DRAIN PIPE LOCATION AND SIZE INFORMATION.



PACKAGE B-1.4

THE PREPARATION OF THIS DRAWING HAS BEEN FINANCED IN PART THROUGH A GRANT FROM THE U.S. DEPARTMENT OF TRANSPORTATION, FEDERAL TRANSIT ADMINISTRATION (FTA), UNDER THE FEDERAL TRANSIT ACT OF 1964, AS AMENDED, AND IN PART BY THE TAXES OF THE CITIZENS OF LOS ANGELES COUNTY AND OF THE STATE OF CALIFORNIA.

REV	DATE	BY	APP	REG NO	EXPIRES	SEAL NO/SIGNATURE	DESCRIPTION
1	7/15/16	DP		65608	09/30/17		NDC 130
2	2/22/16	RP	NB	65608	09/30/17	NOAH BUSCH	NDC 081
3	5/21/15			65608	09/30/15	NOAH BUSCH	AFC SUBMITTAL

DESIGNED BY
ERIC NHAN
DRAWN BY
DAVID PARDEZ
CHECKED BY
RAVI PUDIPEDDI
IN CHARGE
NOAH BUSCH
DATE
5/21/15

A SIGNED & SEALED ORIGINAL OF REV 0 OF THIS DRAWING IS MAINTAINED BY WSCC

LOS ANGELES COUNTY METROPOLITAN TRANSPORTATION AUTHORITY
Metro
WALSH-SHEA CORRIDOR CONSTRUCTORS
1777 Oakland Blvd.
Walnut Creek, CA 94596
HNTB
STEVE WHITAKER
APPROVED
V&A INC.
3305 HOLMIST ST. SUITE 121
LOS ANGELES, CA 90013
213.972.9700
NOAH BUSCH
SUBMITTED

CRENSHAW/LAX
TRANSIT CORRIDOR PROJECT
FLORENCE / LA BREA STATION
STATION GRADING
SHEET 2 OF 2

CONTRACT NO	C0988
DRAWING NO	CR-3005
SCALE	1" = 10'
SHEET NO	2



CONSTRUCTION NOTES

- 1 - CONSTRUCT CURB "TYPE A1" PER SPPWC STD PLAN 120-2, "CF" PER PLAN
- 2 - CONSTRUCT CURB AND GUTTER "TYPE A2" PER SPPWC STD PLAN 120-2, "CF" PER PLAN
- 3 - CONSTRUCT 4" THICK PCC SIDEWALK OVER 4" CMB, JOINTS PER SPPWC STD. PLAN 112-2
- 4 - CONSTRUCT CURB AND GUTTER - MOUNTABLE PER SPPWC STD 121-2, "CF" PER PLAN
- 5 - NOT USED
- 6 - BOLLARD PER METRO BRT DESIGN CRITERIA FIG. 3-5
- 7 - INSTALL 4" WHITE STRIPE (TYP)
- 8 - INSTALL PCC CONCRETE PAVEMENT, THICKNESS SHOWN ON PLAN
- 9 - INSTALL CRUSHED MISCELLANEOUS BASE (CMB) OVER COMPACTED NATIVE, THICKNESS SHOWN ON PLAN

CURVE DATA TABLE				
No.	RADIUS	DELTA	LENGTH	TANGENT
1	10.00'	26°39'29" RT	4.65'	2.37'
2	5.00'	105°47'27" LT	9.23'	6.61'
3	25.00'	78°50'21" RT	34.40'	20.55'
4	50.00'	70°51'26" RT	61.83'	35.57'
5	25.00'	76°40'35" LT	33.46'	19.77'

NOTES:

1. FOR BUS TRANSFER FACILITY GRADING SEE DWG NO. CR-3001.
2. HORIZONTAL CONTROL (HC) POINTS ARE TO THE FACE OF CURB
3. SEE LANDSCAPE (L) PLANS FOR PROPOSED LANDSCAPING IMPROVEMENTS.

M Metro

APPROVED

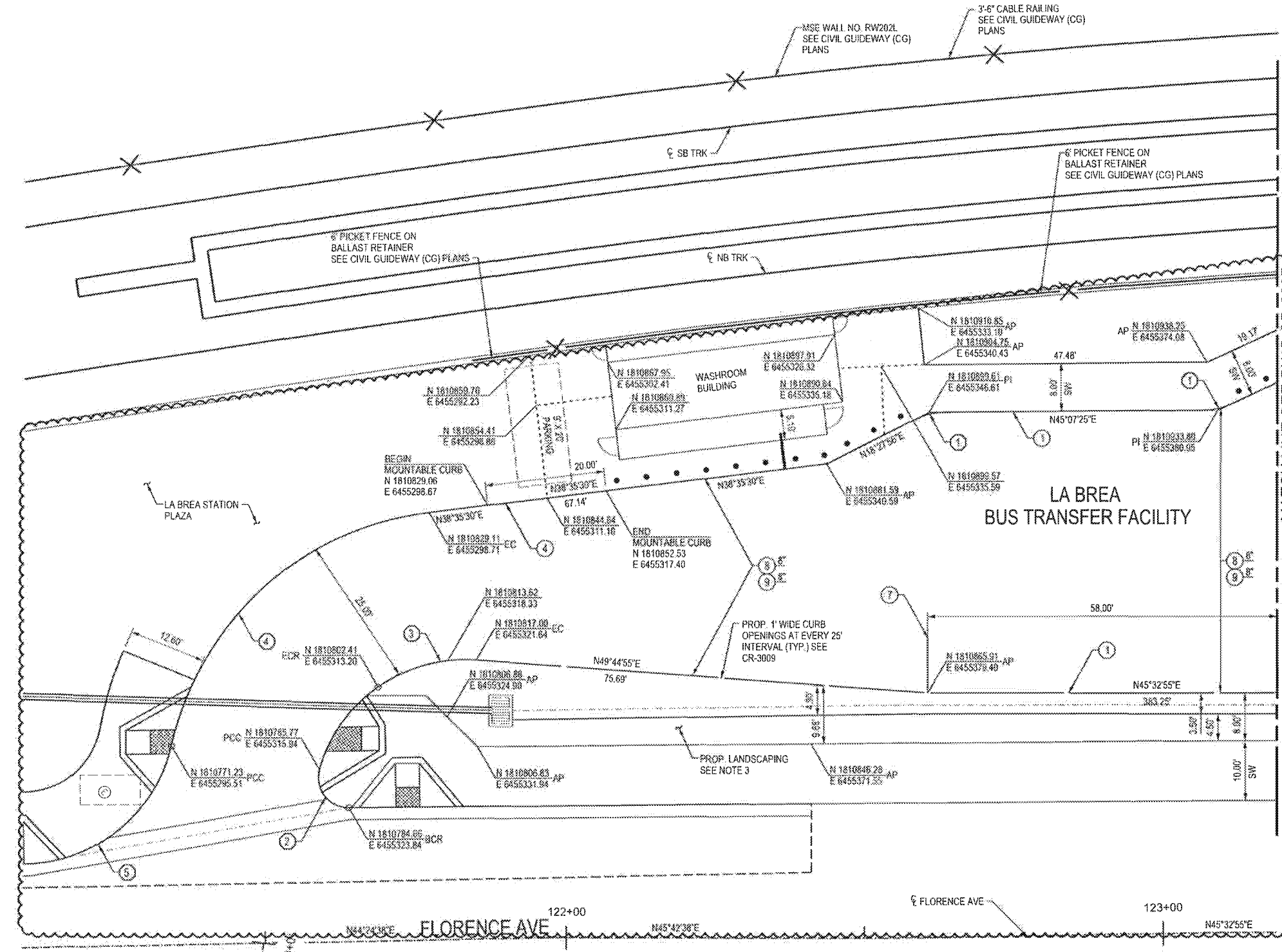
APPROVED AS NOTED (no resubmittal required)

REJECTED, REVISE & RESUBMIT

FOR RECORD ONLY

Director, Construction MGR/ Engineer: Date: 9/20/14

MATCH LINE SEE DWG CR-3007



PACKAGE B-1.4

THE PREPARATION OF THIS DRAWING HAS BEEN FINANCED IN PART THROUGH A GRANT FROM THE U.S. DEPARTMENT OF TRANSPORTATION, FEDERAL TRANSIT ADMINISTRATION (FTA), UNDER THE FEDERAL TRANSIT ACT OF 1964, AS AMENDED, AND IN PART BY THE TAXES OF THE CITIZENS OF LOS ANGELES COUNTY AND OF THE STATE OF CALIFORNIA.

REV	DATE	BY	APP	REG NO	EXPIRES	SEAL HOLDER	DESCRIPTION
0	5/21/15			65608	09/30/15	NOAH BUSCH	AFC SUBMITTAL

DESIGNED BY
ERIC NHAN
DRAWN BY
DAVID PARDEZ
CHECKED BY
RAVI PUDIPEDDI
IN CHARGE
NOAH BUSCH
DATE
5/21/15

A SIGNED & SEALED ORIGINAL OF REV 0 OF THIS DRAWING IS MAINTAINED BY WSCC

M Metro

LOS ANGELES COUNTY METROPOLITAN TRANSPORTATION AUTHORITY

WALSH-SHEA CORRIDOR CONSTRUCTORS

1777 Oakland Blvd.
Walnut Creek, CA 94596

HNTB

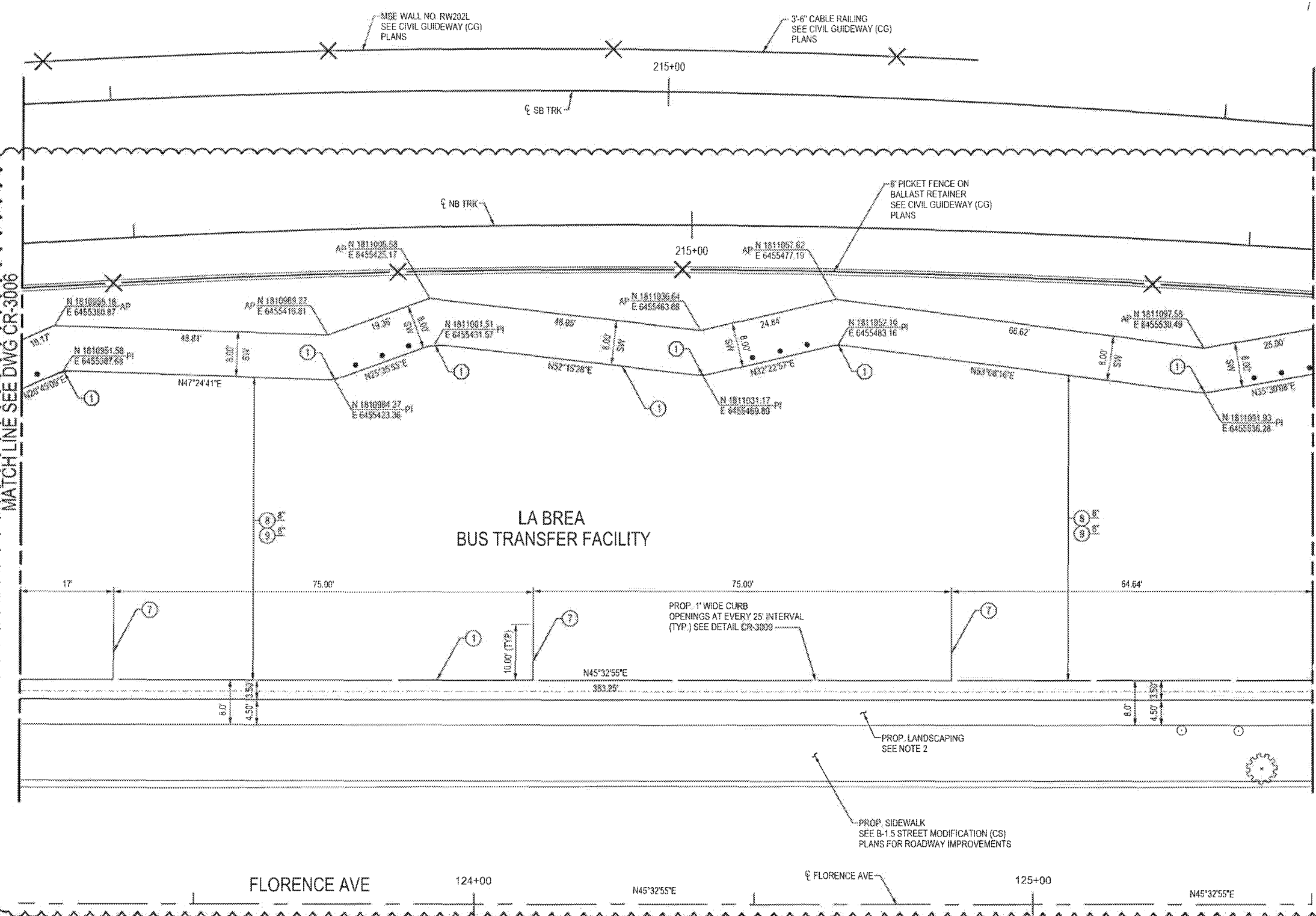
STEVE WHITAKER

V&A INC.
530 S. NEWITT ST., SUITE 121
LOS ANGELES, CA 90013
213.972.9700

NOAH BUSCH

CRENSHAW/LAX
TRANSIT CORRIDOR PROJECT
LA BREA BUS TRANSFER FACILITY
HORIZONTAL CONTROL
SHEET 1 OF 3

PROJECT NO.	C0988
DRAWING NO.	CR-3006
SCALE	1" = 10'
SHEET NO.	1



- CONSTRUCTION NOTES**
- 1- CONSTRUCT CURB "TYPE A1" PER SPPWC STD PLAN 120-2. "CF" PER PLAN
 - 3- CONSTRUCT 4" THICK PCC SIDEWALK OVER 4" CMB. JOINTS PER SPPWC STD. PLAN 112-2
 - 5- NOT USED
 - 6- BOLLARD PER METRO BRT DESIGN CRITERIA FIG. 3-5
 - 7- INSTALL 4" WHITE STRIPE (TYP)
 - 8- INSTALL PCC CONCRETE PAVEMENT, THICKNESS SHOWN ON PLAN
 - 9- INSTALL CRUSHED MISCELLANEOUS BASE (CMB) OVER COMPACTED NATIVE, THICKNESS SHOWN ON PLAN

CURVE DATA TABLE

No.	RADIUS	DELTA	LENGTH	TANGENT
①	10.00'	26°39'29" RT	4.65'	2.37'

- NOTES:**
1. FOR BUS TRANSFER FACILITY GRADING SEE DWG NO. CR-3002.
 2. SEE LANDSCAPE (L) PLANS FOR PROPOSED LANDSCAPING IMPROVEMENTS.

Metro

APPROVED

APPROVED AS NOTED (no resubmittal required)

REJECTED, REVISE & RESUBMIT

FOR RECORD ONLY

Director, Construction MGR/ Engineer: *[Signature]* Date: 9/20/14



PACKAGE B-1.4

THE PREPARATION OF THIS DRAWING HAS BEEN FINANCED IN PART THROUGH A GRANT FROM THE U.S. DEPARTMENT OF TRANSPORTATION, FEDERAL TRANSIT ADMINISTRATION (FTA) UNDER THE FEDERAL TRANSIT ACT OF 1964, AS AMENDED, AND IN PART BY THE TAXES OF THE CITIZENS OF LOS ANGELES COUNTY AND OF THE STATE OF CALIFORNIA.

REV	DATE	BY	APP	REG NO	EXPIRES	SEAL HOLDER	DESCRIPTION
0	5/21/15			65608	09/30/15	NOAH BUSCH	AFC SUBMITTAL
	7/15/16	DP		65608	09/30/17		NDC 130

DESIGNED BY
ERIC NHAN
DRAWN BY
DAVID PARDEZ
CHECKED BY
RAVI PUDIPEDDI
IN CHARGE
NOAH BUSCH
DATE
5/21/15

A SIGNED & SEALED ORIGINAL OF REV 0 OF THIS DRAWING IS MAINTAINED BY WSCC

Metro LOS ANGELES COUNTY METROPOLITAN TRANSPORTATION AUTHORITY

WALSH-SHEA CORRIDOR CONSTRUCTORS
1777 Oakland Blvd.
Walnut Creek, CA 94596

HNTB
STEVE WHITAKER
APPROVED

V&A INC.
200 S. HERMIT ST., SUITE 121
LOS ANGELES, CA 90013
213.972.9700
NOAH BUSCH
SUBMITTED

CRENSHAW/LAX TRANSIT CORRIDOR PROJECT
LA BREA BUS TRANSFER FACILITY
HORIZONTAL CONTROL
SHEET 2 OF 3

CONTRACT NO. C0988

DRAWING NO. CR-3007

SCALE 1" = 10'

SHEET NO. 1

P:\Projects\CR-3007\Drawings\CR-3007-1.dwg 9/20/14 10:00 AM

M Metro

APPROVED
 APPROVED AS NOTED
 (no resubmittal required)
 REJECTED, REVISE & RESUBMIT
 FOR RECORD ONLY

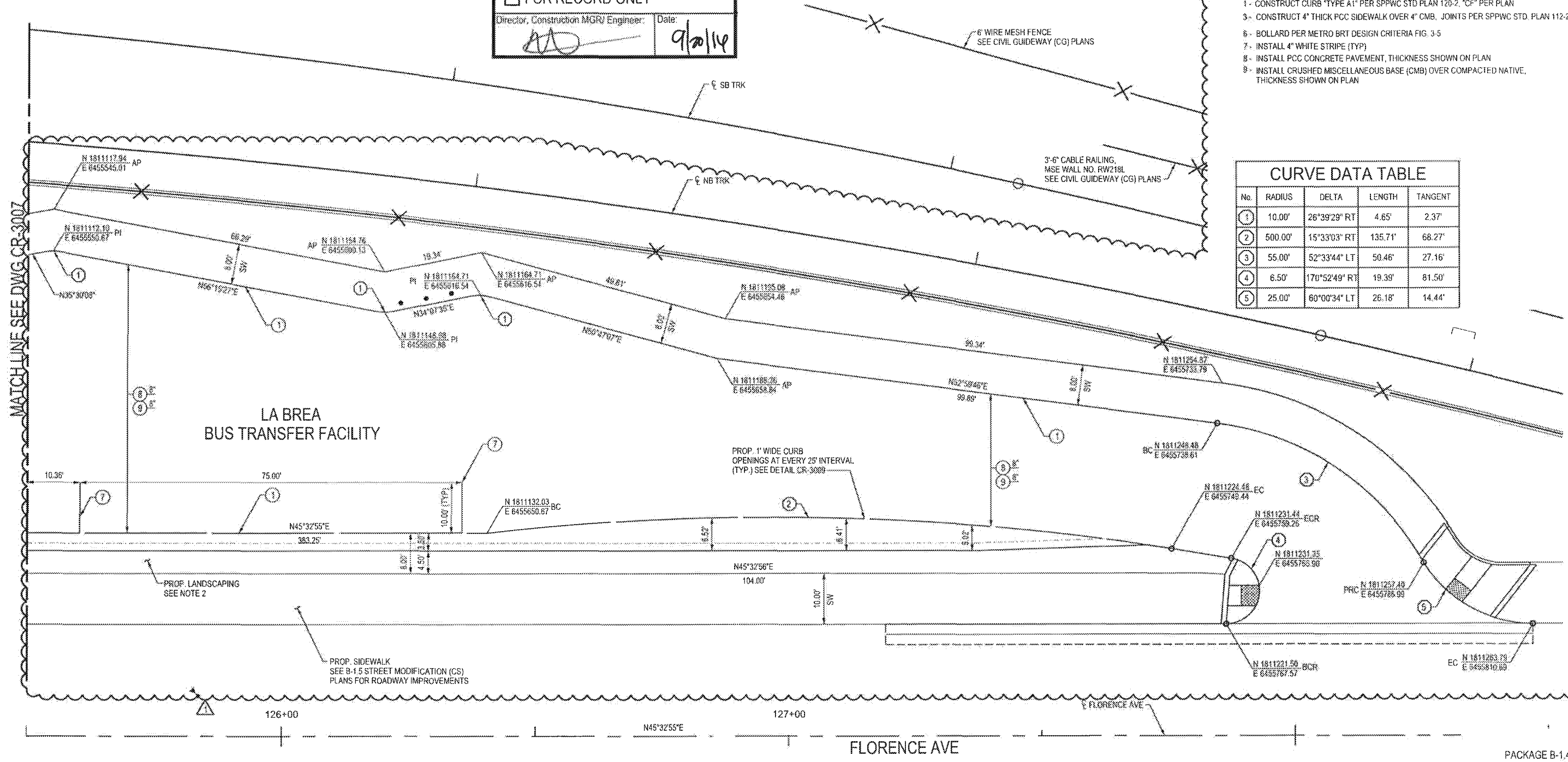
Director, Construction MGR/Engineer: *AD* Date: 9/20/14

- NOTES:**
- FOR BUS TRANSFER FACILITY GRADING SEE DWG NO. CR-3003
 - SEE LANDSCAPE (L) PLANS FOR PROPOSED LANDSCAPING IMPROVEMENTS.

- CONSTRUCTION NOTES**
- CONSTRUCT CURB TYPE A1 PER SPPWC STD PLAN 120-2, "CF" PER PLAN
 - CONSTRUCT 4" THICK PCC SIDEWALK OVER 4" CMB, JOINTS PER SPPWC STD. PLAN 112-2
 - BOLLARD PER METRO BRT DESIGN CRITERIA FIG. 3-5
 - INSTALL 4" WHITE STRIPE (TYP)
 - INSTALL PCC CONCRETE PAVEMENT, THICKNESS SHOWN ON PLAN
 - INSTALL CRUSHED MISCELLANEOUS BASE (CMB) OVER COMPACTED NATIVE, THICKNESS SHOWN ON PLAN

CURVE DATA TABLE

No.	RADIUS	DELTA	LENGTH	TANGENT
1	10.00'	26°39'29" RT	4.65'	2.37'
2	500.00'	15°33'03" RT	135.71'	68.27'
3	55.00'	52°33'44" LT	50.46'	27.16'
4	6.50'	170°52'49" RT	19.39'	61.50'
5	25.00'	60°00'34" LT	26.18'	14.44'



PACKAGE B-1.4

THE PREPARATION OF THIS DRAWING HAS BEEN FINANCED BY THE U.S. DEPARTMENT OF TRANSPORTATION, FEDERAL TRANSIT ADMINISTRATION (FTA), UNDER THE FEDERAL TRANSIT ACT OF 1994, AS AMENDED, AND IN PART BY THE TAXES OF THE CITIZENS OF LOS ANGELES COUNTY AND OF THE STATE OF CALIFORNIA.

REV	DATE	BY	APP	REG NO	EXPIRES	SEAL HOLDER	DESCRIPTION
0	7/15/16	DP		65608	09/30/17		NDC 130
0	5/21/15			65608	09/30/15	NOAH BUSCH	AFC SUBMITTAL

DESIGNED BY
ERIC NHAN
CHECKED BY
DAVID PARDEZ
DESIGNED BY
RAVI PUDIPEDDI
NOAH BUSCH
DATE
5/21/15

A SIGNED & SEALED ORIGINAL OF REV 0 OF THIS DRAWING IS MAINTAINED BY WSCC

M Metro LOS ANGELES COUNTY METROPOLITAN TRANSPORTATION AUTHORITY

WALSH-SHEA CORRIDOR CONSTRUCTORS
1777 Oakland Blvd.
Walnut Creek, CA 94596

HNTB
STEVE WHITAKER
APPROVER

V&A INC.
NOAH BUSCH
SUBMITTER

CRENSHAW/LAX TRANSIT CORRIDOR PROJECT
LA BREA BUS TRANSFER FACILITY
HORIZONTAL CONTROL
SHEET 3 OF 3

CONTRACT NO. C0988

DRAWING NO. CR-3008 REV 1

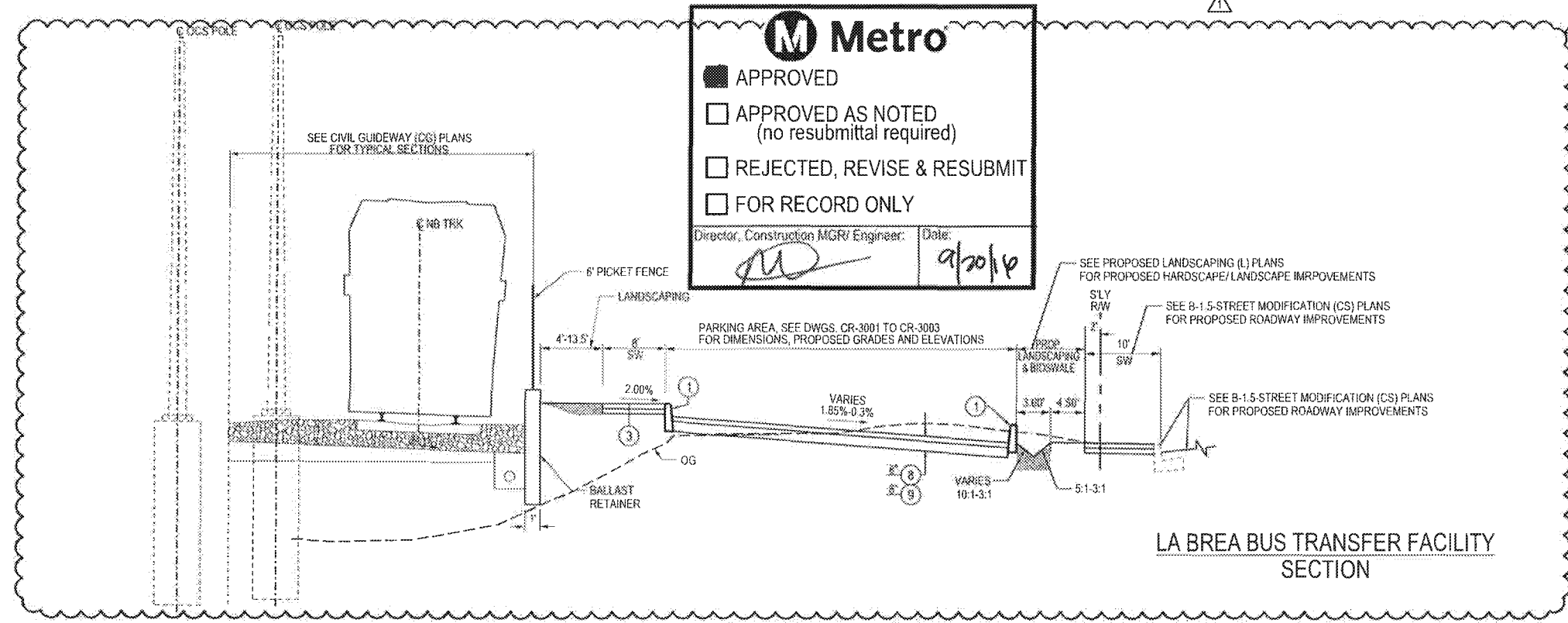
SCALE 1" = 10'

SHEET NO.

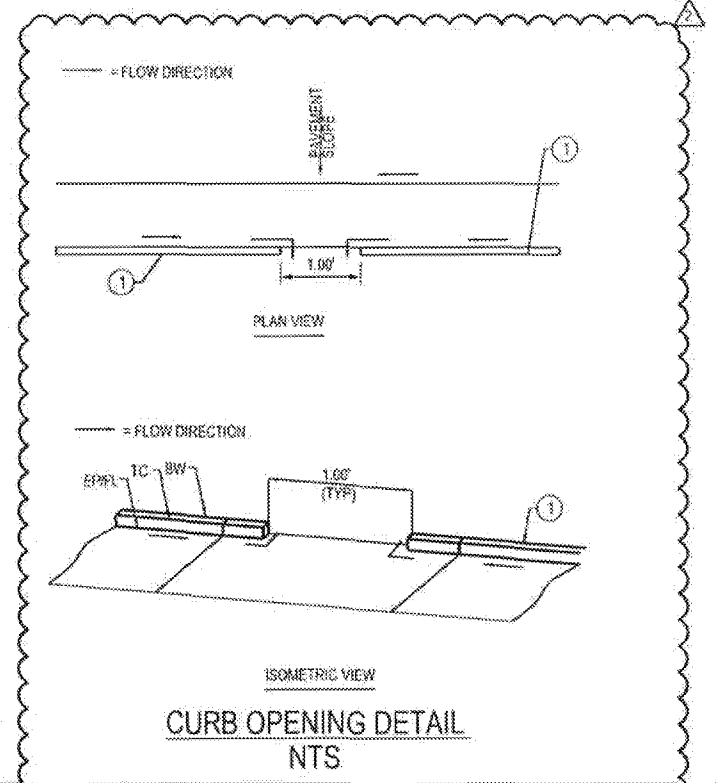
M Metro

APPROVED
 APPROVED AS NOTED (no resubmittal required)
 REJECTED, REVISE & RESUBMIT
 FOR RECORD ONLY

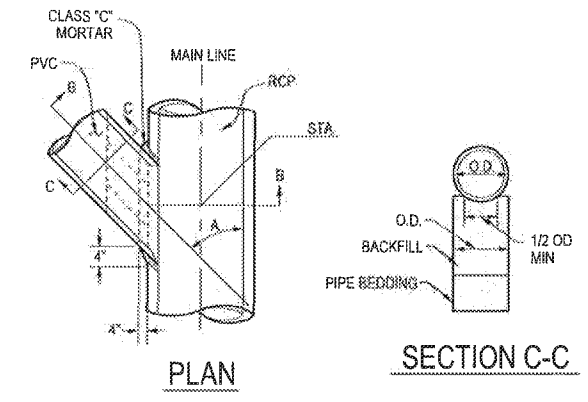
Director, Construction MGR/ Engineer: *[Signature]* Date: 9/20/16



LA BREA BUS TRANSFER FACILITY SECTION

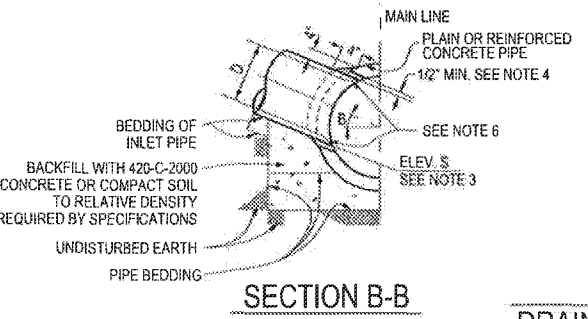


CURB OPENING DETAIL NTS

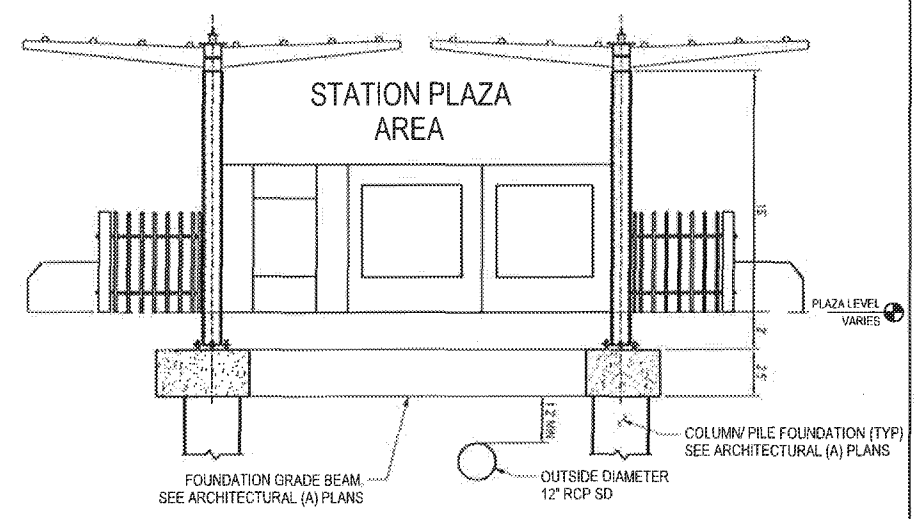


PIPE CONNECTION PVC TO RCP NOTES:

1. ANGLE A SHALL BE BETWEEN 45 DEGREES AND 90 DEGREES. D SHALL BE 24 INCHES OR LESS. FOR SMALLER VALUES OF A AND LARGER VALUES OF D USE APPROPRIATE STANDARD STRUCTURE.
2. IN NO CASE SHALL THE OUTSIDE DIAMETER OF THE INLET PIPE EXCEED ONE-HALF THE INSIDE DIAMETER OF THE MAIN STORM DRAIN.
3. CENTER LINE OF INLET SHALL BE ON RADIUS OF MAIN STORM DRAIN EXCEPT WHERE ELEVATION S IS SHOWN ON PROJECT DRAWINGS.
4. THE OPENING INTO THE MAIN STORM DRAIN SHALL BE THE OUTSIDE DIAMETER OF THE INLET PIPE PLUS ONE INCH MINIMUM OR 3" MAXIMUM.
5. ANGLE B SHALL BE 45 DEGREES OR LESS.
6. FILE OR CHIP END OF CONNECTOR PIPE FLUSH WITH INNER SURFACE OF MAINLINE PIPE. ROUND EDGE OF CONNECTOR PIPE OR REINFORCED CONCRETE PIPE.
7. STATION SPECIFIED ON DRAWINGS APPLIES AT THE INTERSECTION OF INSIDE WALL STORM DRAIN AND CENTER LINE OF INLET PIPE.



DETAIL B DRAINAGE PIPE CONNECTION PVC TO RCP



DETAIL C SOUTH STATION ENTRANCE TYPICAL

NOTES:

1. SEE CIVIL GUIDEWAY (CG) PLANS AND TYPICAL SECTIONS FOR IMPROVEMENTS WITHIN PROPOSED GUIDEWAY.
2. SEE DWG. CR-3001 FOR PLAN VIEW OF GRADING DETAILS.

CONSTRUCTION NOTES

1. CONSTRUCT CURB "TYPE A1" PER SPPWC STD. PLAN 128-2, "CF" PER PLAN.
2. CONSTRUCT 4" THICK PCC SIDEWALK OVER 4" CMB, JOINTS PER SPPWC STD. PLAN 112-2.
3. INSTALL PCC CONCRETE PAVEMENT, THICKNESS SHOWN ON PLAN.
4. INSTALL CRUSHED MISCELLANEOUS BASE (CMB) OVER COMPACTED NATIVE. THICKNESS SHOWN ON PLAN.

PACKAGE B-1.4

THE PREPARATION OF THIS DRAWING HAS BEEN FINANCED IN PART THROUGH A GRANT FROM THE U.S. DEPARTMENT OF TRANSPORTATION, FEDERAL TRANSIT ADMINISTRATION (FTA) UNDER THE FEDERAL TRANSIT ACT OF 1964, AS AMENDED, AND IN PART BY THE SALES OF THE CRENSHAW/LAX FLORENCE / LA BREA STATION BUS TRANSFER FACILITY DETAIL SHEET OF THE STATE OF CALIFORNIA.

REV	DATE	BY	APP	REG NO	EXPIRES	SEAL HOLDER	DESCRIPTION
0	7/15/16	DP	[Signature]	65608	09/30/17	[Signature]	NDC 130
1	2/22/16	RP	NB	65608	09/30/17	NOAH BUSCH	NDC 081
2	5/21/15			65608	09/30/15	NOAH BUSCH	AFC SUBMITTAL

DESIGNED BY: ERIC NHAN
 DRAWN BY: DAVID PARDEZ
 CHECKED BY: RAVI PUDIPEDDI
 IN CHARGE: NOAH BUSCH
 DATE: 5/21/15

A SIGNED & SEALED ORIGINAL OF REV 0 OF THIS DRAWING IS MAINTAINED BY WSCC

M Metro LOS ANGELES COUNTY METROPOLITAN TRANSPORTATION AUTHORITY

WALSH-SHEA CORRIDOR CONSTRUCTORS
 1777 Oakland Blvd.
 Walnut Creek, CA 94596

HNTB STEVE WHITAKER APPROVED

V&A INC. NOAH BUSCH SUBMITTED

CRENSHAW/LAX TRANSIT CORRIDOR PROJECT
 FLORENCE / LA BREA STATION BUS TRANSFER FACILITY
 DETAIL SHEET

CONTRACT NO	C0988
DRAWING NO	CR-3009
SCALE	NO SCALE
SHEET NO	2