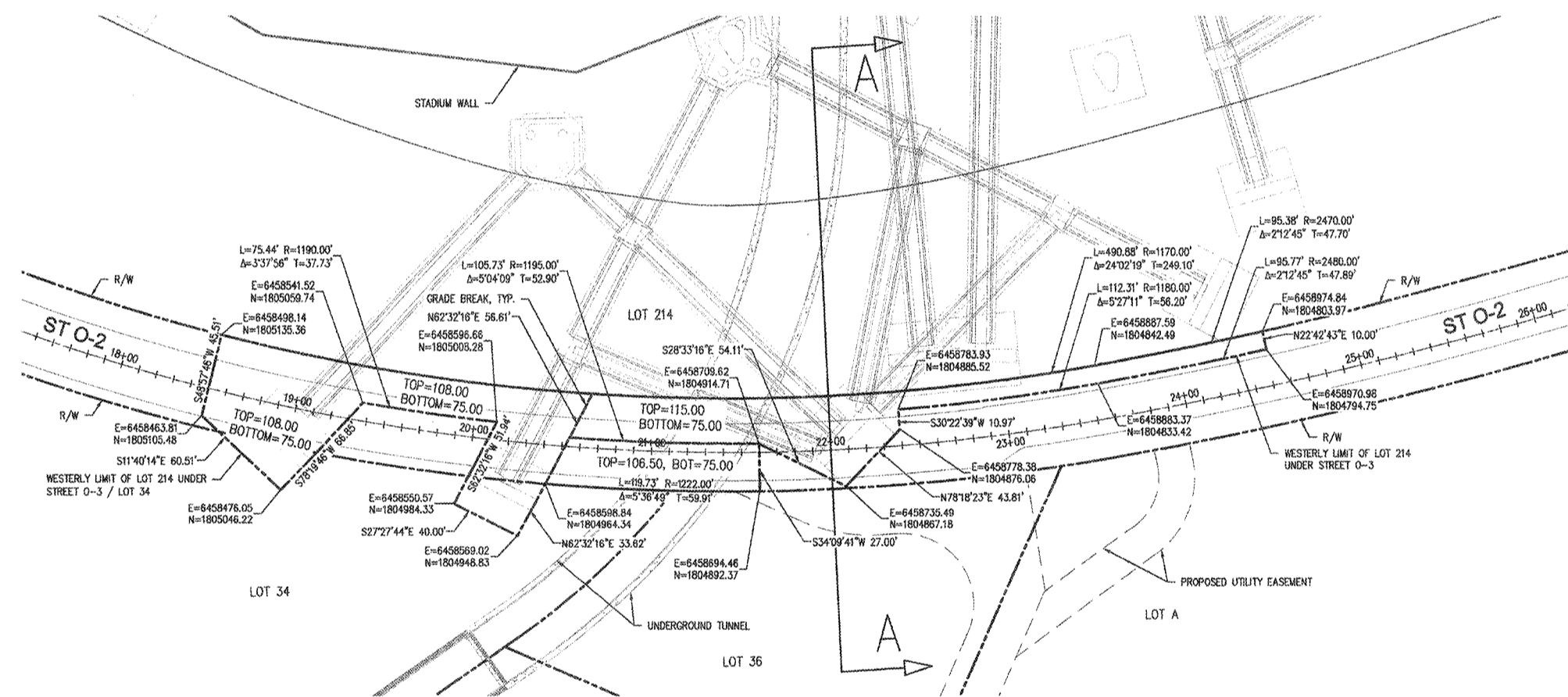
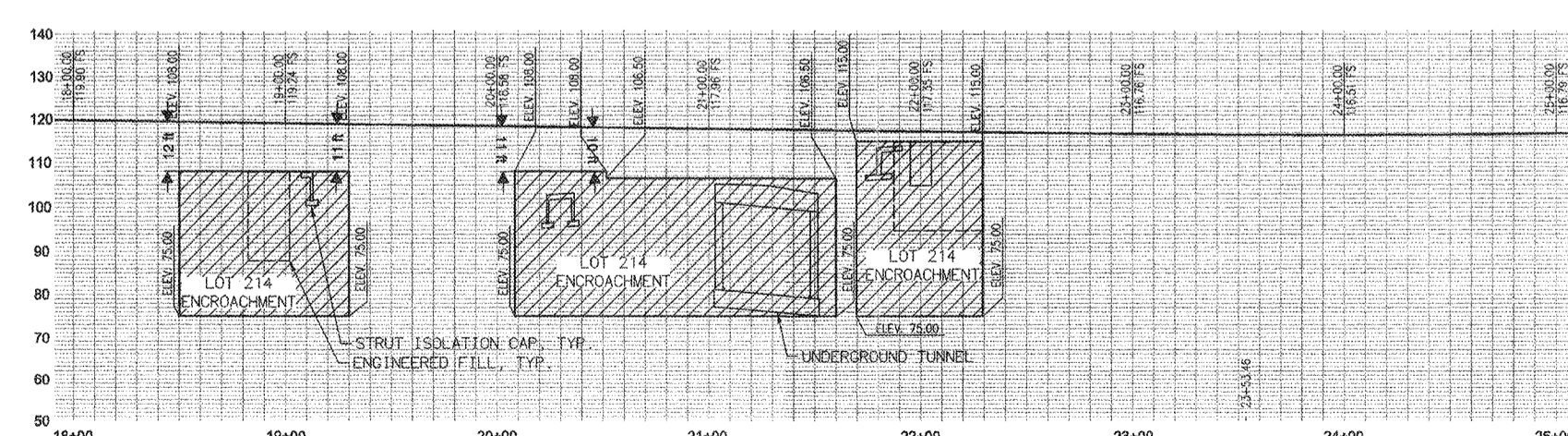


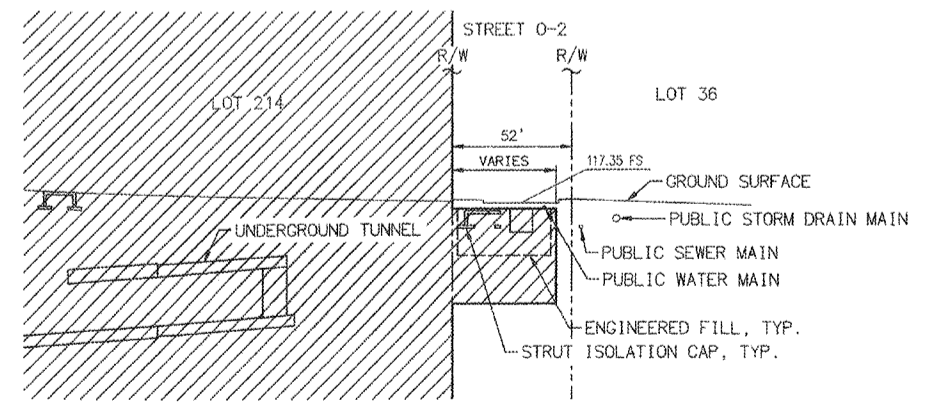
**VESTING TENTATIVE TRACT MAP NO. 80314**  
 IN THE CITY OF INGLEWOOD, CA  
 FOR MERGER, RESUBDIVISION AND CONDOMINIUM PURPOSES



**ENCROACHMENT PORTION OF LOT 214 ALONG ST O-2**  
 PLAN VIEW

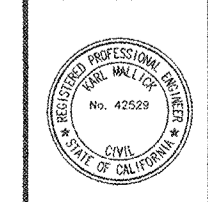


**UNDERGROUND PORTION OF LOT 214 ALONG ST O-2 CENTERLINE**  
 PROFILE VIEW



**CROSS SECTION A-A**  
 (NOT TO SCALE)

- LEGEND**
- EX. CURB
  - BOUNDARY/ ROW/ PROPERTY LINE
  - PROPOSED CURB
  - PROPOSED LOT LINE
  - CENTER LINE
  - TOP OF SLOPE
  - BOTTOM OF SLOPE



**DAVID EVANS AND ASSOCIATES INC.**  
 201 S. FIGUEROA STREET, SUITE 240  
 LOS ANGELES, CA 90012  
 Phone: 213.337.3660

PREPARED UNDER THE SUPERVISION OF:  
 KARL MALLIK, R.C.E. 42529 DATE

<b>HOLLYWOOD PARK LAND CO., LLC</b>		<b>L.A. STADIUM AND ENTERTAINMENT DISTRICT AT HOLLYWOOD PARK</b>	
DRAWN BY: LR	<b>VESTING TENTATIVE TRACT MAP NO. 80314</b> <b>STRUTS - STREET O-2</b>	SCALE: N.T.S.	DATE: 03/07/18
DESIGNED BY: KM		SHEET NO.:	
CHECKED BY: KM		APPROVED BY: CITY ENGINEER	

03/07/18