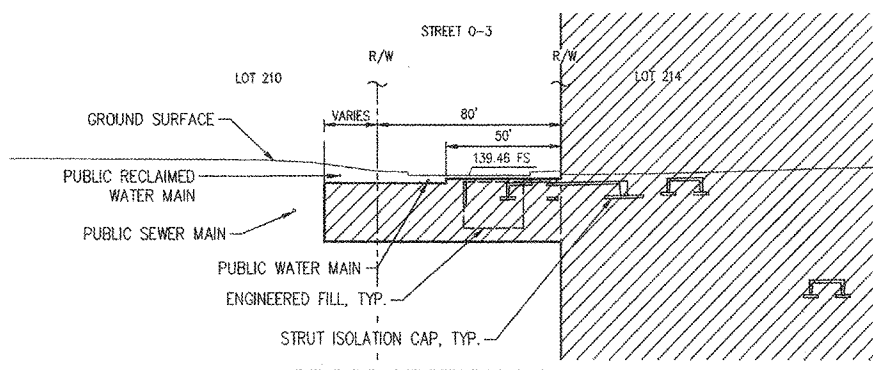
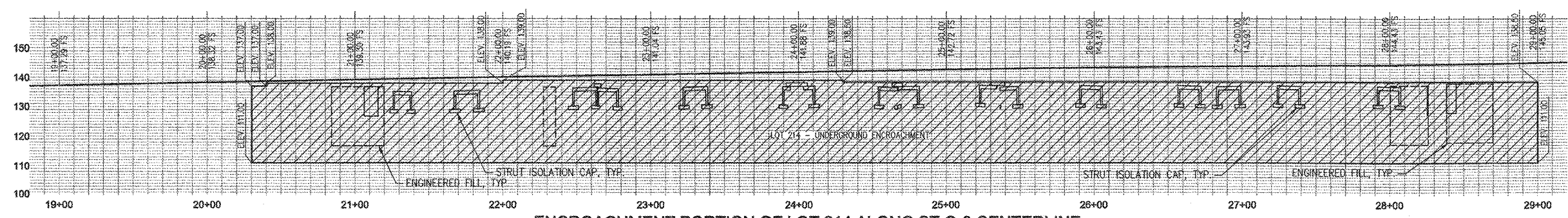
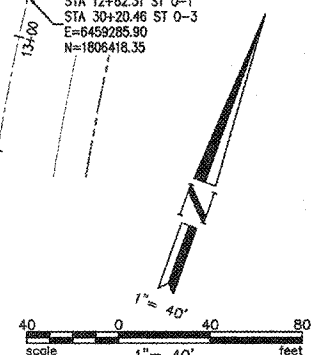
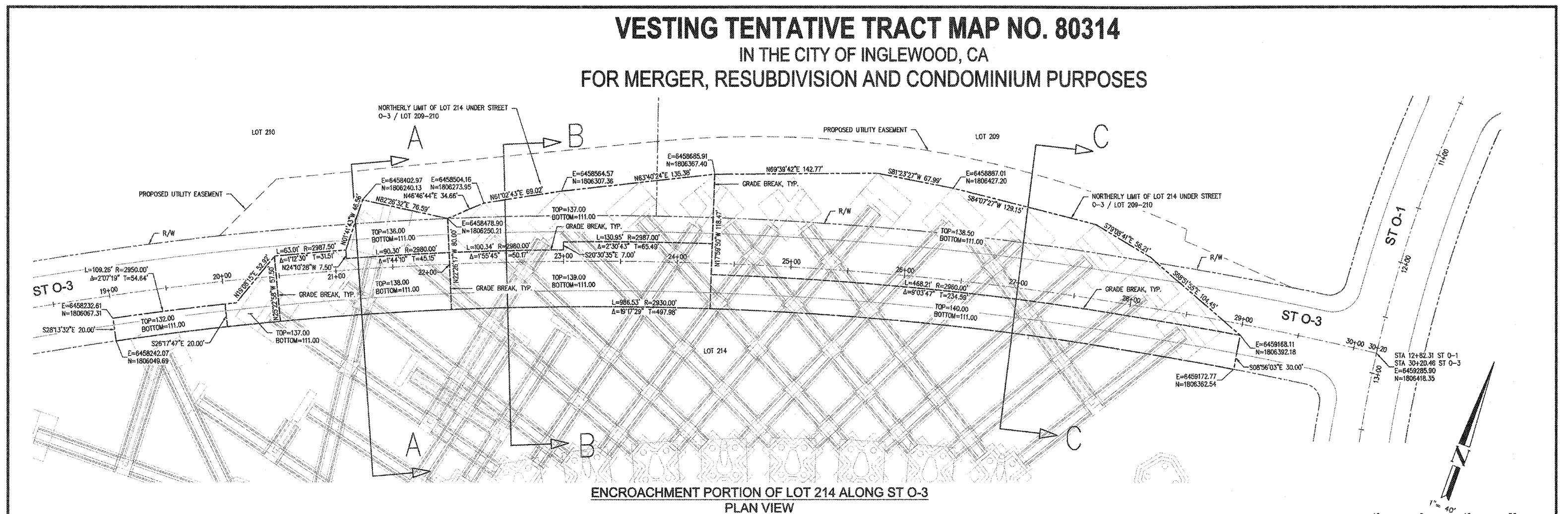
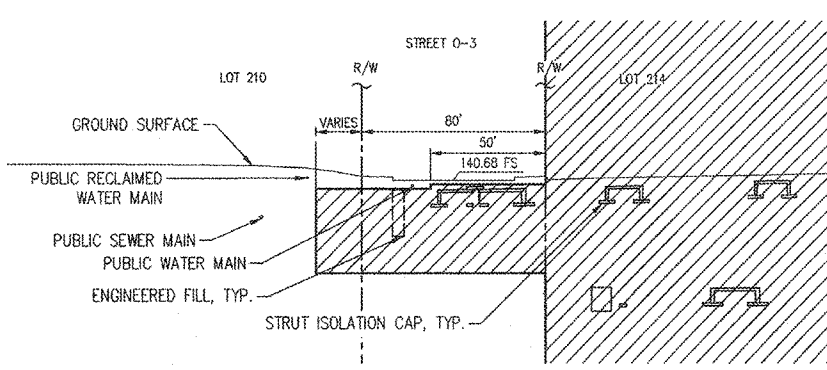


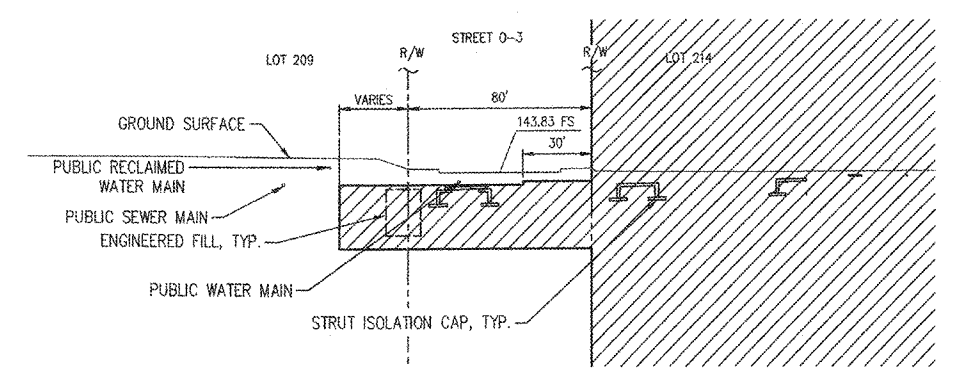
VESTING TENTATIVE TRACT MAP NO. 80314
 IN THE CITY OF INGLEWOOD, CA
 FOR MERGER, RESUBDIVISION AND CONDOMINIUM PURPOSES



CROSS SECTION A-A
(NOT TO SCALE)



CROSS SECTION B-B
(NOT TO SCALE)



CROSS SECTION C-C
(NOT TO SCALE)

- LEGEND:**
- EX. CURB
 - BOUNDARY/ ROW/ PROPERTY LINE
 - PROPOSED CURB
 - PROPOSED LOT LINE
 - CENTER LINE
 - TOP OF SLOPE
 - BOTTOM OF SLOPE

03/07/18

	DAVID EVANS AND ASSOCIATES INC. 201 S. FIGUEROA STREET, SUITE 240 LOS ANGELES, CA 90012 Phone: 213.337.3888	HOLLYWOOD PARK LAND CO., LLC L.A. STADIUM AND ENTERTAINMENT DISTRICT AT HOLLYWOOD PARK
	PREPARED UNDER THE SUPERVISION OF: KARL MALICK, R.C.E. 42520	DATE: