

**PRIMUS** DECONSTRUCTING SHADES & GUARDS

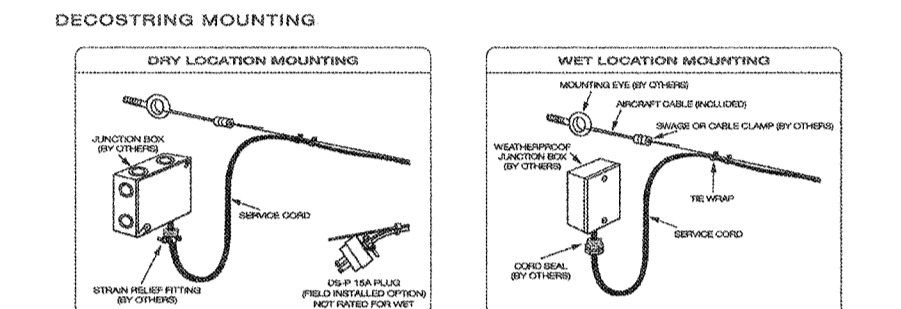
<b>DSRLG</b>	5" W X 4" H METAL ROUND LAMP GUARD FINISH: POWDER COAT ONLY		
<b>DS16A</b>	6" W X 8" H ACRYLIC TUBE SHADE FINISH: OPAL WHITE, CLEAR OR FROSTED		
<b>DS58</b>	6" DIAMETER ACRYLIC SPHERE FINISH: OPAL WHITE, CLEAR OR FROSTED		
<b>DS10</b>	10" DIAMETER ACRYLIC SPHERE FINISH: OPAL WHITE, CLEAR OR FROSTED		
<b>DS12</b>	12" DIAMETER ACRYLIC SPHERE FINISH: OPAL WHITE, CLEAR OR FROSTED		

**SHADES & GUARDS FINISH CODES**

RAW & ACID ETCHED FINISHES	POWDER COAT FINISHES	ACRYLIC FINISHES
RB - RAW BRASS	PCW - POWDER COAT WHITE	O - OPAL WHITE
AB - AGED BRASS	PCB - POWDER COAT BLACK	C - CLEAR
VB - VERDE BRASS	PCS - POWDER COAT SILVER	F - FROSTED
BA - BRUSHED ALUM	POC - POWDER COAT (CUSTOM PROVIDE RAL COLOR)	

**SHADES & GUARDS FINISH NOTES**

- Decostring shades are hand crafted from solid brass or aluminum and feature either chemical etched or powder coat finishes.
- Most shades are shipped separately and attached to cable system by means of a tool-less keeper ring.
- All shades and guards dimensions are nominal.
- Please contact us for material, finish and shape variations or custom designs.



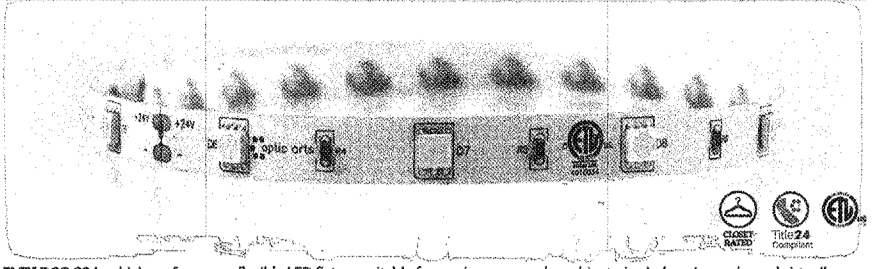
3570 LEXINGTON AVE. EL MONTE, CA 91731 • PH. 626.442.4600 FAX 626.442.4900 • primuslighting.com

HOLLYWOOD PARK RESIDENTIAL | LOS ANGELES, CA 12 MAR 2016 LIGHTING CATALOG PAGE

LIGHTING DESIGN ALLIANCE, INC. LOS ANGELES, CA 90008-2213 T: 866.989.3843 F: 866.989.3847 www.LightDesignAlliance.com

TYPE **SP1** 13 of 24

**FLEX DC® 22** Specification Sheet



FLEX DC® 22 is a high performance flexible LED fixture suitable for use in coves, under cabinets, in shelves, in-grade, and virtually anywhere a linear fixture is required.

ELECTRICAL		ACCESSORIES	
Input Voltage	24VDC	Mounting Clips	FLEXMNT-SLINT, FLEXMNT-SLEXT12
Dimming Options	• PURE DIM™ • HUEY • 0-10V • DMX • Lutron (C-WIRE, 3-WIRE, EcoSystem)	Channels	Optic Arts® Channel (Pg. 3-6)
Power Consumption	2.2 Watts per foot	Connectors	LC-DPM-LC-DPPE, LC-DSP-P, LC-DSP-M (Pg. 7)
Wire Size	18AWG, 2 wire	LUMEN OUTPUT	
Certification	ETL - Conforms to UL Std. 2108, Certified to CSA Std. C22.2 No. 510 Title 24 - Applicable CCTs are compliant. Selected FLEX DC® models CEC listed. Closest Rated - Suitable for installation in the storage area of a cabinet door when used in Optic Arts® channel.	2000K (#40 only)	102.24 lm/ft @ 46.47 lm/watt
		2400K	145.62 lm/ft @ 68.00 lm/watt
		2700K	154.00 lm/ft @ 70.00 lm/watt
		3000K	175.60 lm/ft @ 80.00 lm/watt
		3500K	160.60 lm/ft @ 75.00 lm/watt
		4100K	156.20 lm/ft @ 71.00 lm/watt
		4900K	185.04 lm/ft @ 77.00 lm/watt

**PHYSICAL**

Field Cuttable	Every 6.55"	PERFORMANCE	
Operating Temperature	40° C (40° F) to +70° C (+158° F)	CRI	90+
Environment	IP65 - Dry Location	Lumen Maintenance	100,000 Hours
	IP68 - Wet Location	Shimming Tolerance	+/- 100%
Maximum Run Length	IP65: 47', IP68: 4.5'	Warranty	3 years
Dimensions (WxDxH)	IP65: 0.50" (12.70mm) x 0.10" (2.54mm) IP68: 0.50" (12.70mm) x 0.20" (5.08mm) IP68 Endcaps: 0.57" (14.48mm) x 0.38" (9.65mm)		

**PART NUMBER BUILDER**

FINISH	IP RATING	COLOR	VOLTAGE	WATTAGE	LENGTH
FLEXDC	40 = IP40 - Dry Location 68 = IP68 - Wet Location	20 = 2000K (#40 only) 24 = 2400K 27 = 2700K 30 = 3000K 35 = 3500K 41 = 4100K	60 = 6000K 8 = 8' Total 6 = 6' Green 8 = 8' Blue A = Amber W = 10' W	24 = 24 VDC 22 = 2.2w	20K = Custom Length

1330 Monterey Pass Rd, Monterey Park, CA 91754  
213.256.6060 | customerservice@opticsarts.com | www.opticsarts.com

Optic Arts reserves the right to modify this specification without prior notice. Last Modified November 28, 2017 9:10 AM

HOLLYWOOD PARK RESIDENTIAL | LOS ANGELES, CA 12 MAR 2016 LIGHTING CATALOG PAGE

LIGHTING DESIGN ALLIANCE, INC. LOS ANGELES, CA 90008-2213 T: 866.989.3843 F: 866.989.3847 www.LightDesignAlliance.com

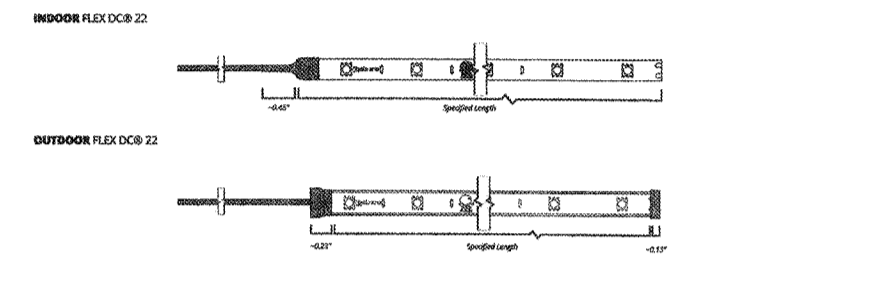
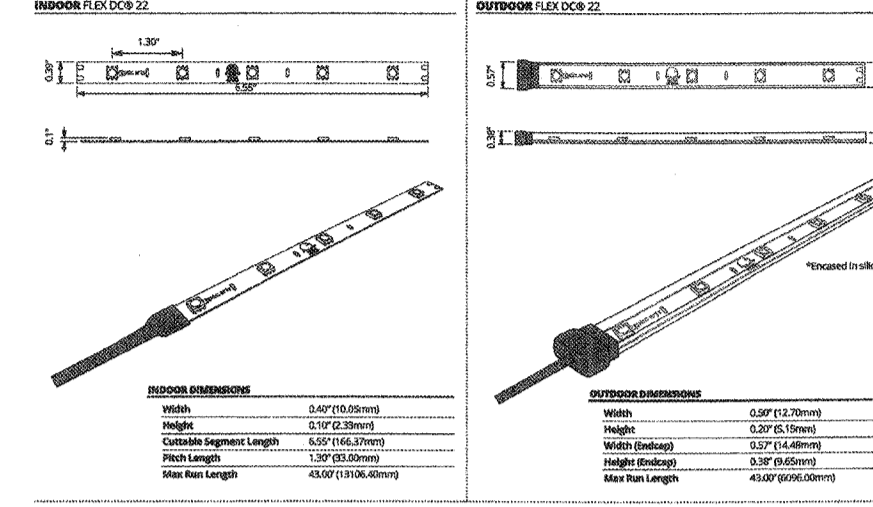
TYPE **SS1** 14 of 24

**FLEX DC® 22** Specification Sheet

**DIMENSIONS**

Optic Arts® offers all FLEX DC® and Channel products to length your customer's specification. Each length of FLEX DC® is fitted with a 1/2" end-to-end connection lengths available upon request and packaged on a reel to an anti-static bag. Bags are labeled with fixture type, length and location (if applicable). Each piece of channel is labeled with fixture type, length and location (if applicable), and is handled by fixture type.

- Due to the nature of the FLEX DC® product, specific lengths may not fully meet your customer's specification. In this case, Optic Arts® will always cut to the smaller dimension unless otherwise specified.
- Unless otherwise specified, channel is 1/2" inner bevel chamfer.
- Some on-site assembly may be required. See installation guide for details.



1330 Monterey Pass Rd, Monterey Park, CA 91754  
213.256.6060 | customerservice@opticsarts.com | www.opticsarts.com

Optic Arts reserves the right to modify this specification without prior notice. Last Modified November 28, 2017 9:10 AM

HOLLYWOOD PARK RESIDENTIAL | LOS ANGELES, CA 12 MAR 2016 LIGHTING CATALOG PAGE

LIGHTING DESIGN ALLIANCE, INC. LOS ANGELES, CA 90008-2213 T: 866.989.3843 F: 866.989.3847 www.LightDesignAlliance.com

TYPE **SS1** 15 of 24

**BEGA** LED recessed wall luminaires - asymmetrical forward throw

**Application**  
LED recessed wall luminaire with asymmetrical wide spread light distribution for the illumination of wide ground surfaces, stairs and footpaths.

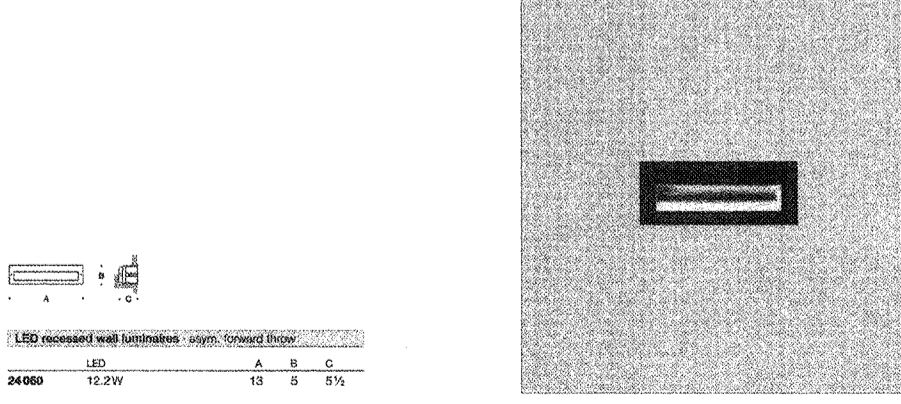
**Materials**  
Luminaire housing and fasciole constructed of die-cast aluminum marine grade, copper free (60.3% copper content) A380.0 aluminum alloy  
Clear safety glass  
Reflector made of pure anodized aluminum  
Silicone applied robotically to casting, plasma treated for increased adhesion  
High temperature silicone gasket  
Mechanically captive stainless steel fasteners  
Stainless steel screw clamps  
Composite installation housing  
NRTL listed to North American Standards, suitable for wet locations  
Protection class IP65  
Weight: 4.4 lbs

**Electrical**  
Operating voltage: 120-277VAC  
Minimum start temperature: -30° C  
LED module wattage: 12.2W  
System wattage: 15.0W  
Controllability: 0-10V  
Color rendering index: Ra>80  
Luminaire lumens: 848 lumens (3000K)  
Lifetime at Ta=15°C: 67,000 h (L70)  
Lifetime at Ta=35°C: 55,000 h (L70)

**LED color temperature**  
□ 2700K - Product number = K2  
□ 3000K - Product number = K3  
□ 3500K - Product number = K35  
□ 4000K - Product number = K4

BEGA can supply you with suitable LED replacement modules for up to 20 years after the purchase of LED luminaires - see website for details

**Finish**  
All BEGA standard finishes are matte, textured polyester powder coat with minimum 3 mil thickness.  
Available colors: □ Black (BLK) □ White (WHT) □ RAL: □ Bronze (BRZ) □ Silver (SLV) □ CUS:



BEGA 1300 Bega Way, Carpinteria, CA 93013 (805) 644-0333 info@bega-usa.com

HOLLYWOOD PARK RESIDENTIAL | LOS ANGELES, CA 12 MAR 2016 LIGHTING CATALOG PAGE

LIGHTING DESIGN ALLIANCE, INC. LOS ANGELES, CA 90008-2213 T: 866.989.3843 F: 866.989.3847 www.LightDesignAlliance.com

TYPE **WR1** 16 of 24

**LIGMAN** LIGHTING USA **UVK-30001** Austin-Vekter 1 Small

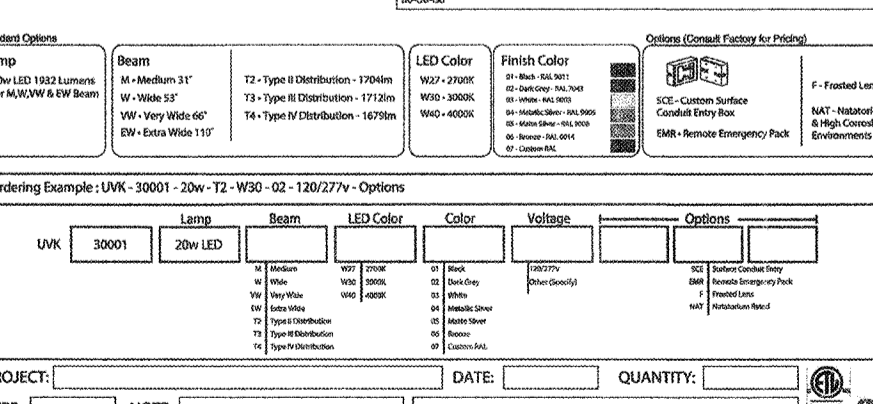
A wedge shaped range of small profiles with mounted luminaires for use in uplight or downlight applications. The fixture is unique as it is available with Type I, II, III & IV light distribution options that facilitate wider beam angles and light distribution between the light fixtures. Wide spacing of up to 160" can be achieved using a type I optic with uniformity that complies to path of light requirements. This provides higher energy saving and reduced installation costs. The fixture can be manufactured using different type beam optics to achieve custom distribution, existing type I and type II optics take the same luminaire. Integral electronic control gear is housed in a special recessed box that can be detached from the optic chamber for easy installation.

**Physical Data**  
Length - 10.2"  
Height - 3.1"  
Weight - 7 lbs  
IP65 - Suitable for Wet Locations  
IK08 - Impact Resistant (Vandal Resistant)

**Standard Options**

Lamp	Beam	LED Color	Finish Color	Options (Consult Factory for Pricing)
20w LED 1000lm for RAUWV & B W Beam	14 - Medium 31° 18 - Wide 51° 19 - Very Wide 60° 20 - Extra Wide 115°	T2 - Type II Distribution - 170lm T3 - Type III Distribution - 170lm T4 - Type IV Distribution - 167lm	60 - 6000K 8 - 8' Total 6 - 6' Green 8 - 8' Blue A - Amber W - 10' W	□ F - Frosted Lens □ ICE - Concrete Surface □ Custom Entry Box □ EMB - Remote Emergency Pack

Ordering Example: UVK-30001-20w-T2-W30-02-120/277v-Options



UVK 30001 20w LED

PROJECT: \_\_\_\_\_ DATE: \_\_\_\_\_ QUANTITY: \_\_\_\_\_

TYPE: \_\_\_\_\_ NOTE: \_\_\_\_\_

Head Office: 7144 NW Progress Ct. Tel: 503-645-0100 Fax: 503-645-6100 www.ligmanlightingusa.com

HOLLYWOOD PARK RESIDENTIAL | LOS ANGELES, CA 12 MAR 2016 LIGHTING CATALOG PAGE

LIGHTING DESIGN ALLIANCE, INC. LOS ANGELES, CA 90008-2213 T: 866.989.3843 F: 866.989.3847 www.LightDesignAlliance.com

TYPE **WS1** 17 of 24

**LIGMAN** LIGHTING USA **UTA-31891** Tango 32 Up/Down Light

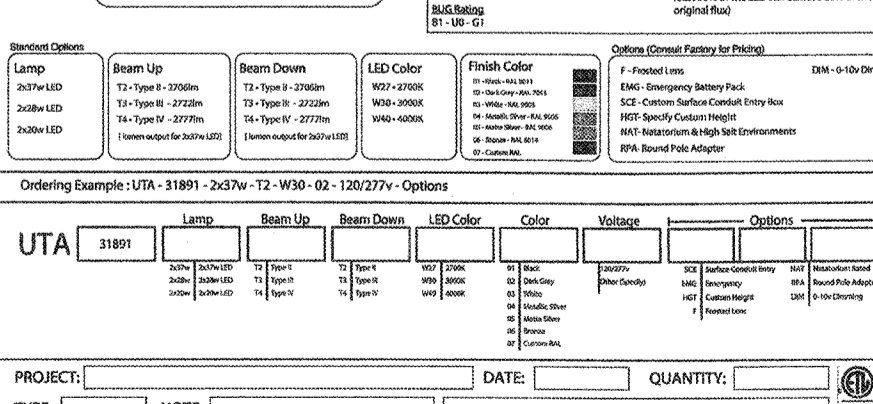
Well luminaires with a selection of light distributions and LED wattages with upward & downward light distributions. The Tango is unique as it is available with Type I, II, III & IV light distribution options that facilitates wider spacing and even light distribution between the light fixtures. Spacing of up to 60" on center, and a 1" mounting height with a 2°C energy can be achieved using the type II optic. This provides higher energy saving and reduced installation costs. The Tango 31 cylindrical or Tango 32 square up/down versions can be manufactured using different type beam distributions for the up and down optics. Integral electronic control gear. Mounting plate for 3" and 4" junction box is provided with the fixture. Matching surface mount conduit boxes are available as an option. Custom round pole adapters can be manufactured to suit specific pole diameters for column mounting applications. Please contact the factory for more information.

**Physical Data**  
Length - 7.3"  
Height - 11.4"  
Weight - 18.5 lbs  
IP65 - Suitable for Wet Locations  
IK08 - Impact Resistant (Vandal Resistant)

**Standard Options**

Lamp	Beam Up	Beam Down	LED Color	Finish Color	Options (Consult Factory for Pricing)
20w LED	T2 - Type II - 2700lm T3 - Type III - 2720lm T4 - Type IV - 2777lm (Lumen output for 200va LED)	T2 - Type II - 2700lm T3 - Type III - 2720lm T4 - Type IV - 2777lm (Lumen output for 200va LED)	W2 - 2700K W3 - 3000K W4 - 4000K	60 - 6000K 8 - 8' Total 6 - 6' Green 8 - 8' Blue A - Amber W - 10' W	□ F - Frosted Lens □ ICE - Concrete Surface □ Custom Entry Box □ EMB - Remote Emergency Pack

Ordering Example: UTA-31891-2x32w-T2-W30-02-120/277v-Options



UTA 31891

PROJECT: \_\_\_\_\_ DATE: \_\_\_\_\_ QUANTITY: \_\_\_\_\_

TYPE: \_\_\_\_\_ NOTE: \_\_\_\_\_

Head Office: 7144 NW Progress Ct. Tel: 503-645-0100 Fax: 503-645-6100 www.ligmanlightingusa.com

HOLLYWOOD PARK RESIDENTIAL | LOS ANGELES, CA 12 MAR 2016 LIGHTING CATALOG PAGE

LIGHTING DESIGN ALLIANCE, INC. LOS ANGELES, CA 90008-2213 T: 866.989.3843 F: 866.989.3847 www.LightDesignAlliance.com

TYPE **WS2** 18 of 24

**TA** ARCHITECTS  
LOS ANGELES | IRVINE | OAKLAND

**WILSON MEANY**

ARCHITECTS

3570 LEXINGTON AVE. EL MONTE, CA 91731

3570 LEXINGTON AVE. EL MONTE, CA 91731

3570 LEXINGTON AVE. EL MONTE, CA 91731

**HOLLYWOOD PARK RESIDENTIAL - MU-10**  
INGLEWOOD, CALIFORNIA

HOLLYWOOD PARK RETAIL AND COMMERCIAL INVESTORS, LLC

**NOT FOR CONSTRUCTION**

**LD0.13**

2017.093

DATE

PLOT PLAN

RESUBMITTAL

DATE

06-21-2018

DATE