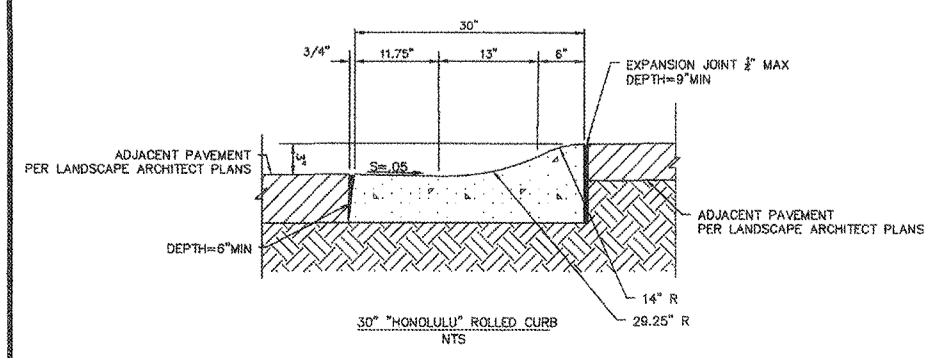
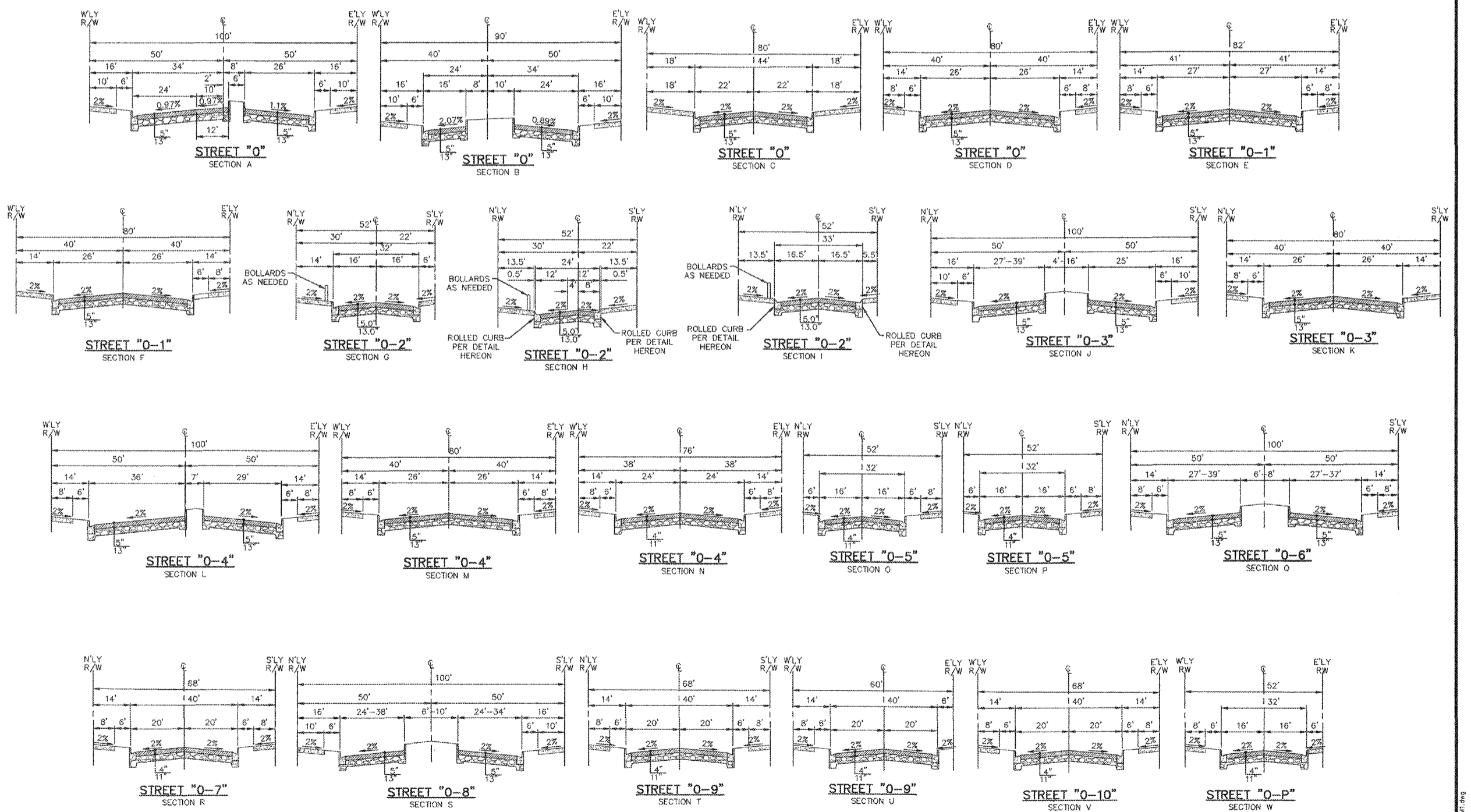
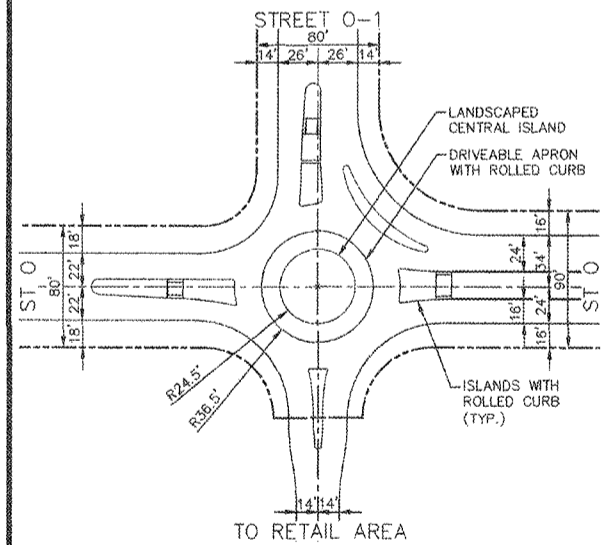
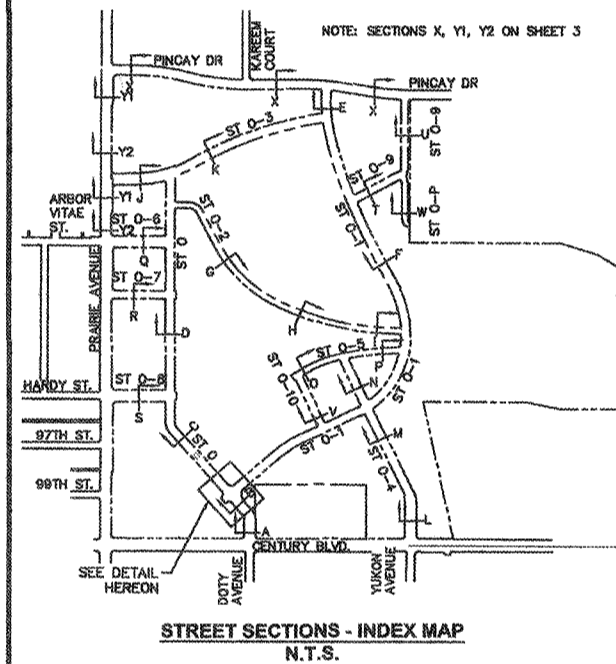
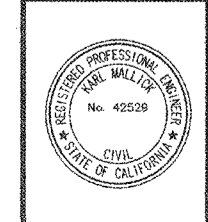


VESTING TENTATIVE TRACT MAP NO. 80314
 IN THE CITY OF INGLEWOOD, CA
 FOR MERGER, RESUBDIVISION AND CONDOMINIUM PURPOSES



03/07/18



DAVID EVANS AND ASSOCIATES, INC.
 201 S. FIGUEROA STREET, SUITE 240
 LOS ANGELES, CA 90012
 Phone: 213.337.3880
 PREPARED UNDER THE SUPERVISION OF:
 KARL MALLICK, R.C.E. 42529 DATE

HOLLYWOOD PARK LAND CO., LLC		L.A. STADIUM AND ENTERTAINMENT DISTRICT AT HOLLYWOOD PARK	
DRAWN BY: LR	DESIGNED BY: KM	CHECKED BY: KM	CITY INSURER: DMK
VESTING TENTATIVE TRACT MAP MAP NO. 80314		SCALE: N.T.S.	DATE: 03/07/18
SHEET NO. 02 OF 25		DATE: 03/07/18	