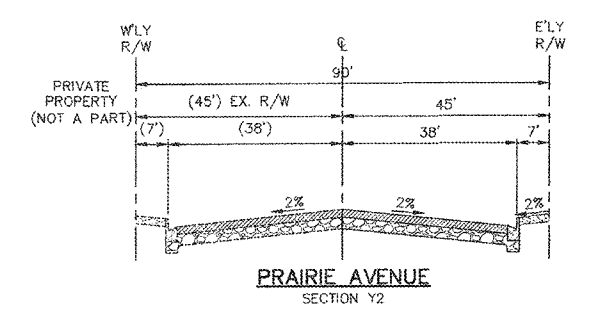
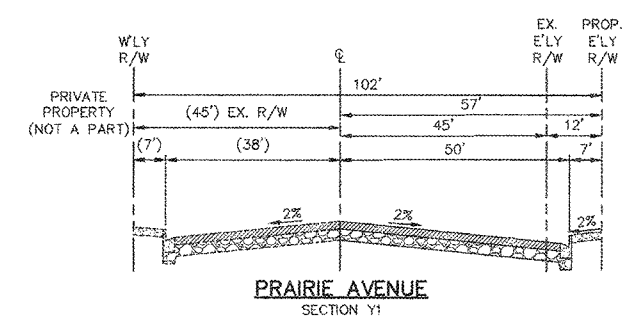
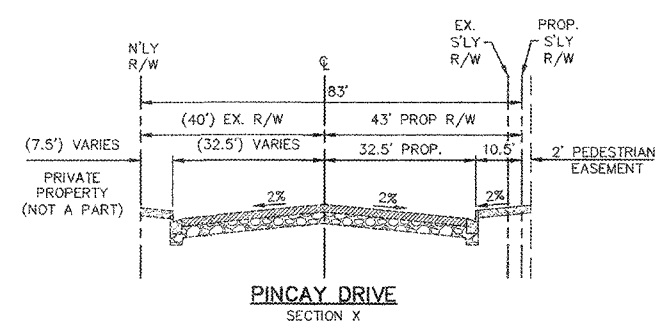
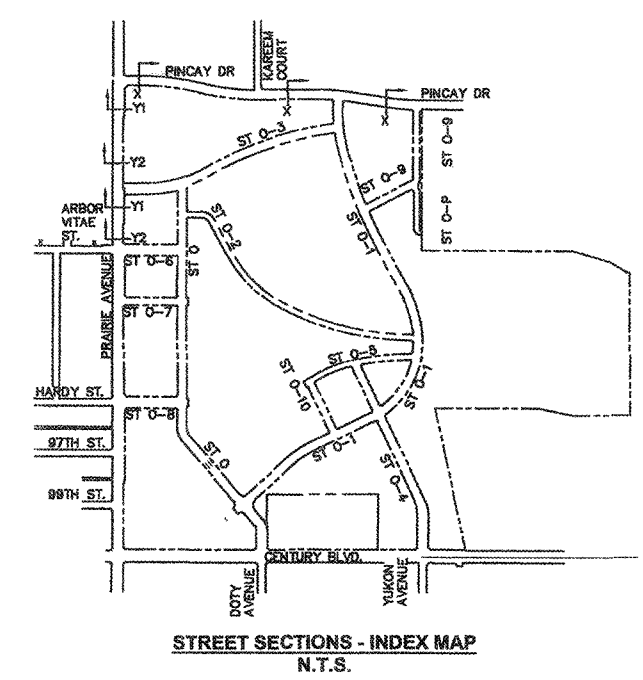


VESTING TENTATIVE TRACT MAP NO. 80314
 IN THE CITY OF INGLEWOOD, CA
 FOR MERGER, RESUBDIVISION AND CONDOMINIUM PURPOSES



03/07/18

	DAVID EVANS AND ASSOCIATES INC. 201 S. FIGUEROA STREET, SUITE 240 LOS ANGELES, CA 90012 Phone: 213.337.3880	HOLLYWOOD PARK LAND CO., LLC L.A. STADIUM AND ENTERTAINMENT DISTRICT AT HOLLYWOOD PARK	
		PREPARED UNDER THE SUPERVISION OF: KARL MALLICK, R.C.E. 42529	DATE: _____

Drawn by: LR, Design by: KM, Checked by: KM, Approved by: KM, City Engineer: _____, Date: _____, Scale: N.T.S., Date: 03/07/18, Sheet: 03 of 25