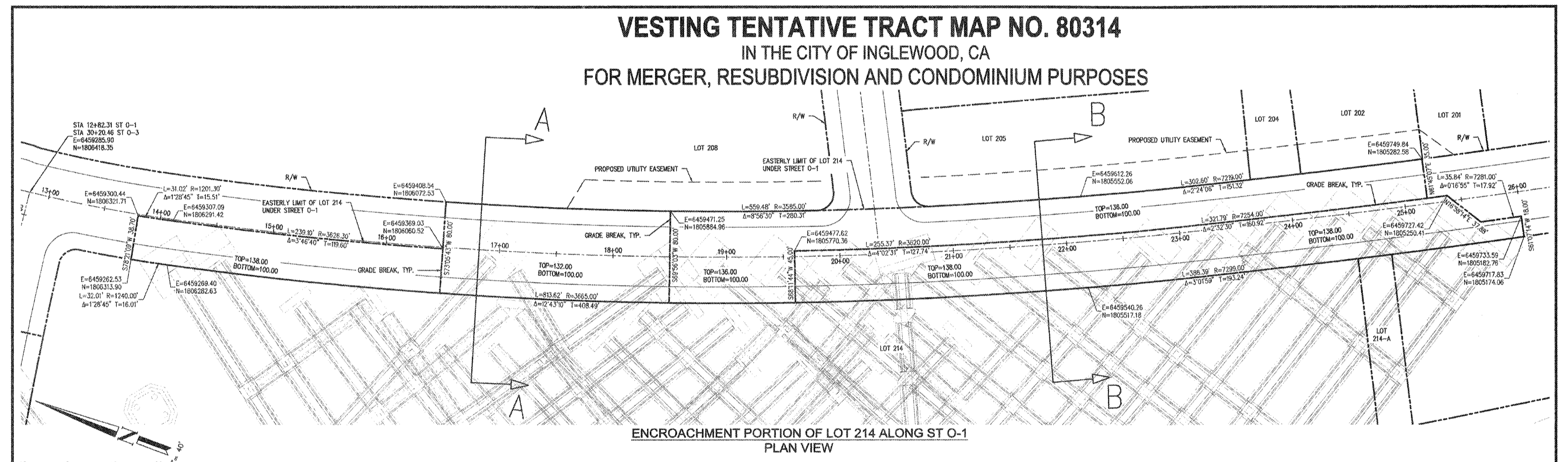
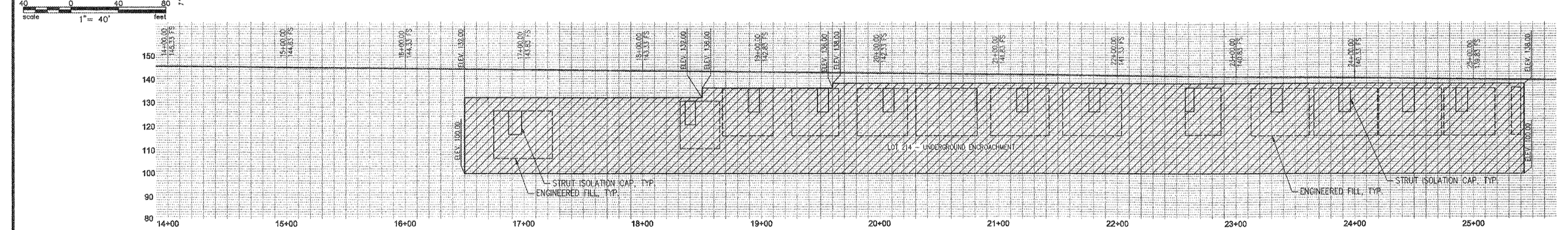


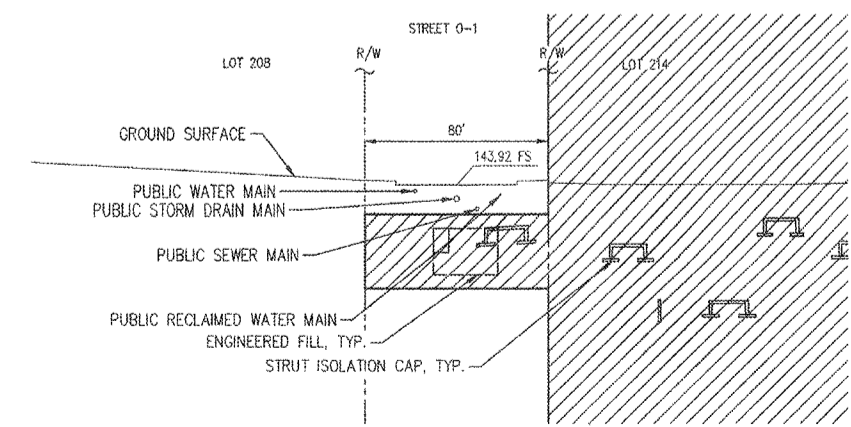
VESTING TENTATIVE TRACT MAP NO. 80314
 IN THE CITY OF INGLEWOOD, CA
 FOR MERGER, RESUBDIVISION AND CONDOMINIUM PURPOSES



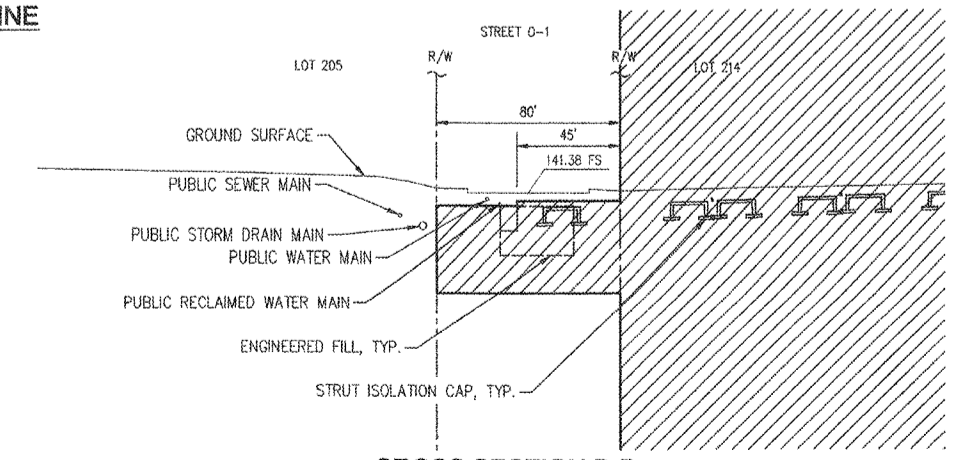
**ENCROACHMENT PORTION OF LOT 214 ALONG ST O-1
 PLAN VIEW**



**ENCROACHMENT PORTION OF LOT 214 ALONG ST O-1 CENTERLINE
 PROFILE VIEW**

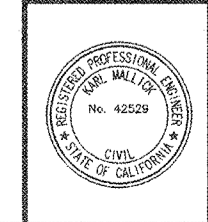


**CROSS SECTION A-A
 (NOT TO SCALE)**



**CROSS SECTION B-B
 (NOT TO SCALE)**

- LEGEND**
- EX. CURB
 - BOUNDARY/ R/W/ PROPERTY LINE
 - PROPOSED CURB
 - PROPOSED LOT LINE
 - CENTER LINE
 - TOP OF SLOPE
 - BOTTOM OF SLOPE



DAVID EVANS AND ASSOCIATES, INC.
 201 S. FIGUEROA STREET, SUITE 240
 LOS ANGELES, CA 90012
 Phone: 213.337.3880

PREPARED UNDER THE SUPERVISION OF:
 KARL MALLICK, R.C.E. 42529 DATE

HOLLYWOOD PARK LAND CO., LLC		SCALE: N.T.S.
L.A. STADIUM AND ENTERTAINMENT DISTRICT AT HOLLYWOOD PARK		DATE: 03/07/18
DRAWN BY: LR	VESTING TENTATIVE TRACT MAP MAP NO. 80314 STRUTS - STREET O-1	SHEET NO.: 22 OF 25
DESIGNED BY: KM	APPROVED BY: [Signature]	DATE: [Blank]
CHECKED BY: KM	CITY ENGINEER: [Blank]	DATE: [Blank]

03/07/18

Project Location: 14000 Hollywood Blvd, Hollywood, CA 91601
 Date: 03/07/18
 Scale: N.T.S.
 Sheet: 22 of 25