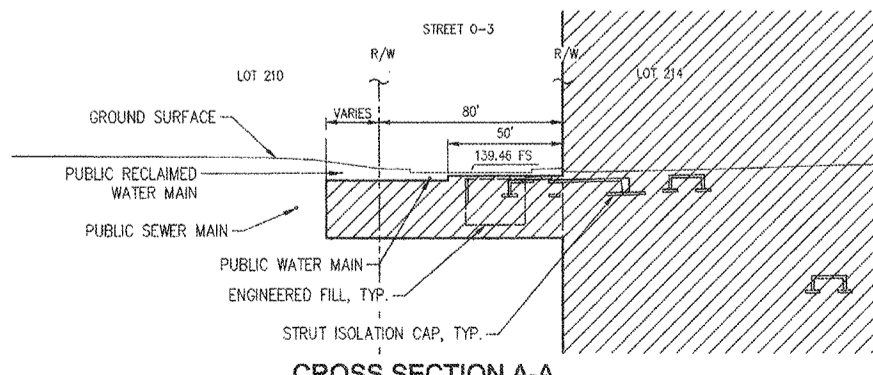
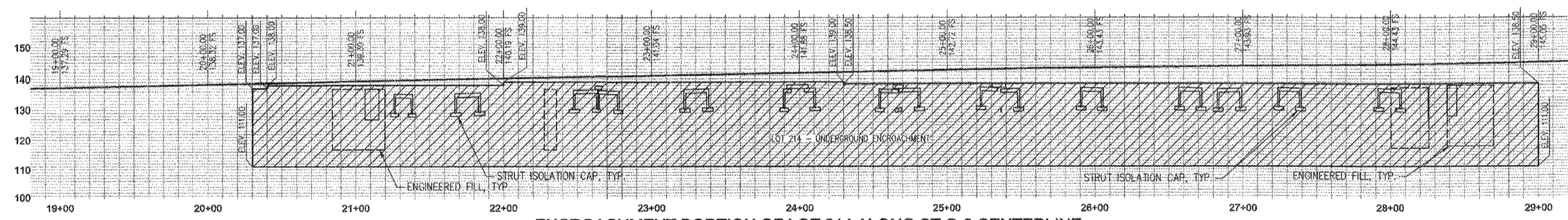
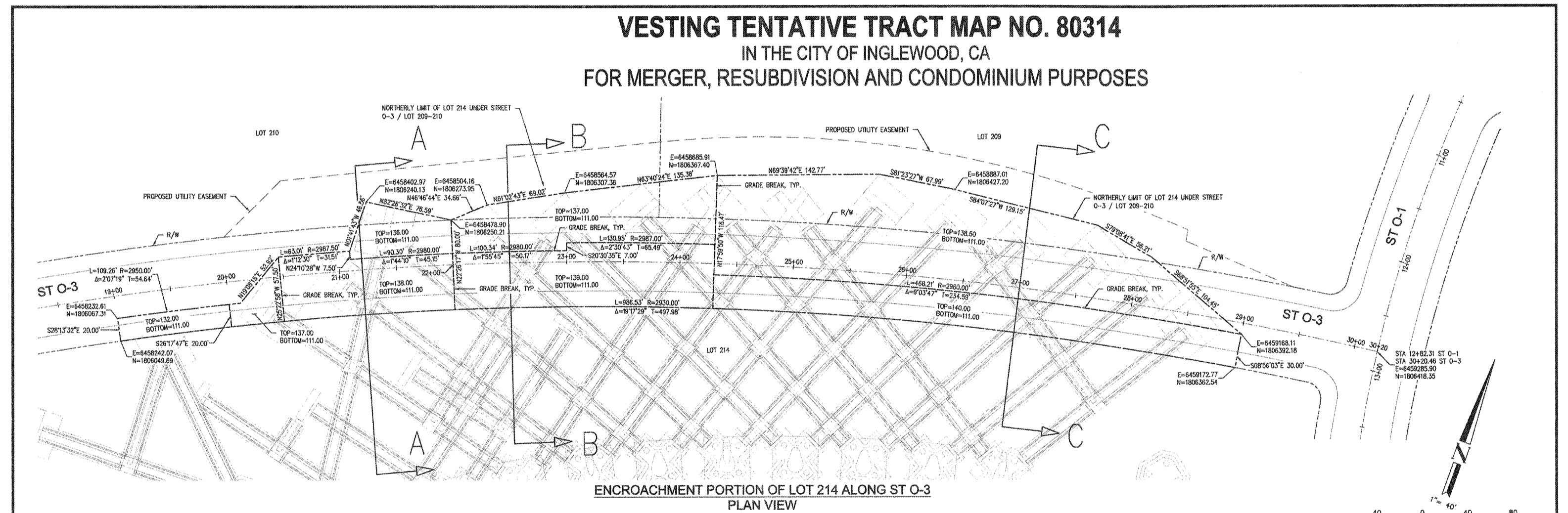
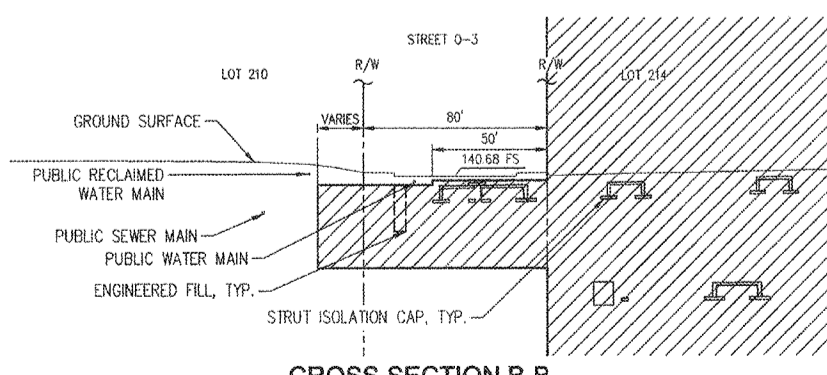


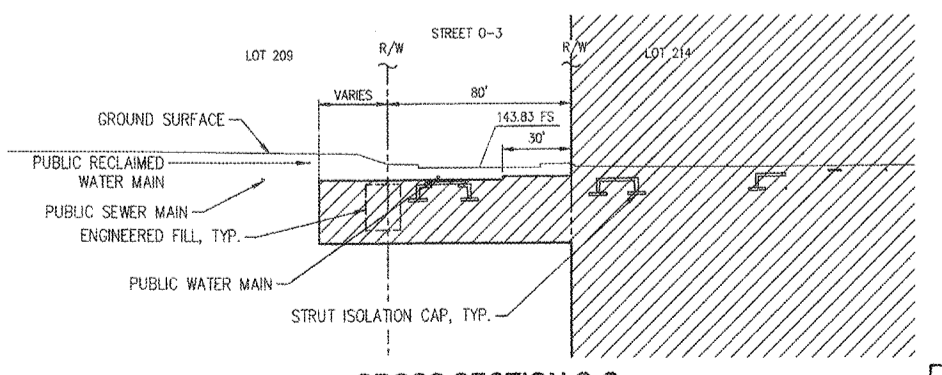
VESTING TENTATIVE TRACT MAP NO. 80314
 IN THE CITY OF INGLEWOOD, CA
 FOR MERGER, RESUBDIVISION AND CONDOMINIUM PURPOSES



CROSS SECTION A-A
(NOT TO SCALE)



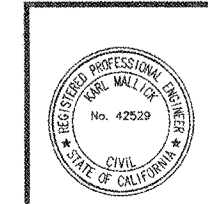
CROSS SECTION B-B
(NOT TO SCALE)



CROSS SECTION C-C
(NOT TO SCALE)

03/07/18

- LEGEND**
- EX. CURB
 - BOUNDARY/ ROW/ PROPERTY LINE
 - PROPOSED CURB
 - PROPOSED LOT LINE
 - CENTER LINE
 - TOP OF SLOPE
 - BOTTOM OF SLOPE



DAVID EVANS AND ASSOCIATES INC.
 201 S. FIGUEROA STREET, SUITE 240
 LOS ANGELES, CA 90012
 Phone: 213.537.8880

PREPARED UNDER THE SUPERVISION OF:
 KARL MALLICK, R.C.E. 42529 DATE: _____

HOLLYWOOD PARK LAND CO., LLC		SCALE: N.T.S.
L.A. STADIUM AND ENTERTAINMENT DISTRICT AT HOLLYWOOD PARK		DATE: 03/07/18
DRAWN BY: LR	VESTING TENTATIVE TRACT MAP MAP NO. 80314	SHEET NO.: 25 OF 25
DESIGNED BY: KM	STRUTS - STREET O-3	
CHECKED BY: KM	APPROVED BY: _____	
	CITY ENGINEER	