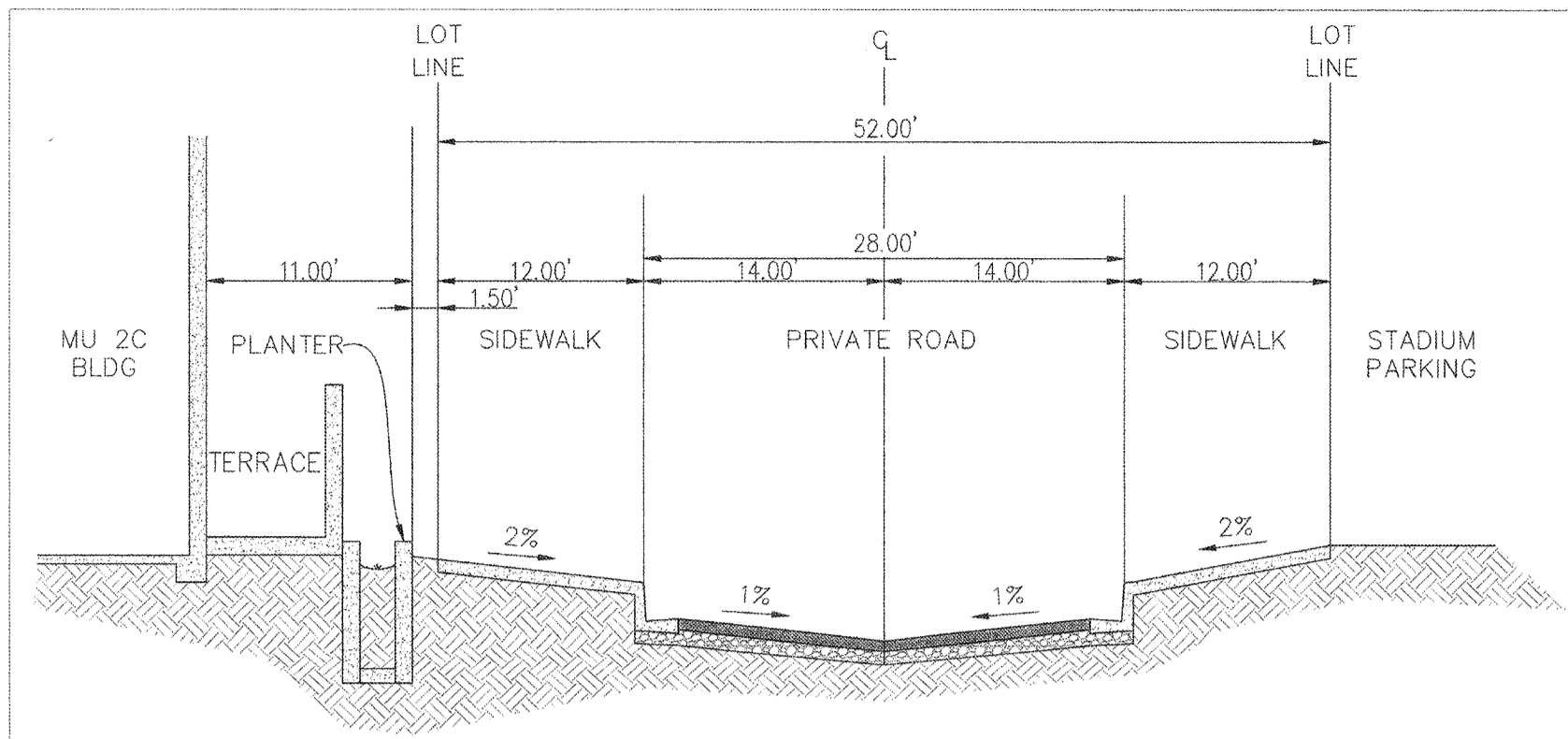
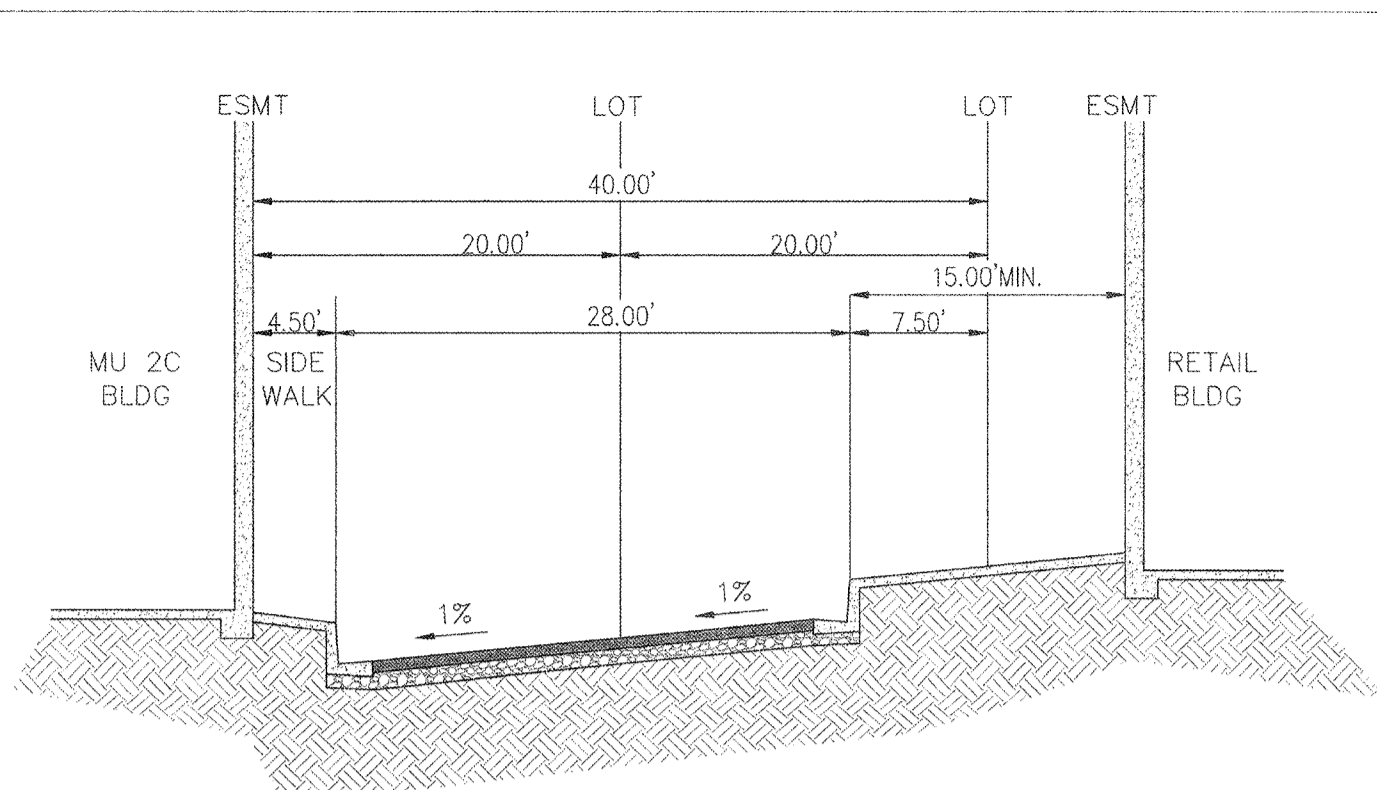


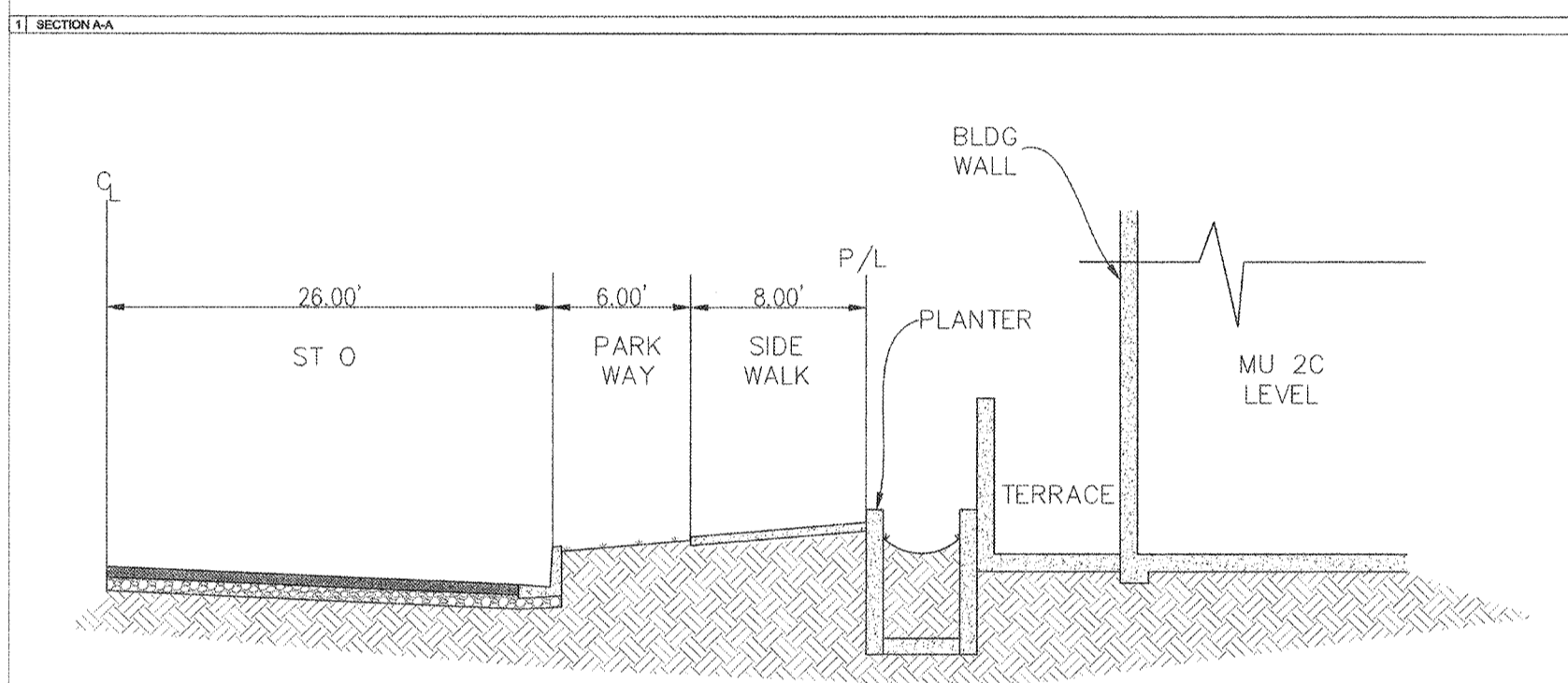
COMPLETE DRAWINGS  
WILL BE SUBMITTED WITH  
BUILDING PLAN CHECK.  
FOR REFERENCE ONLY.



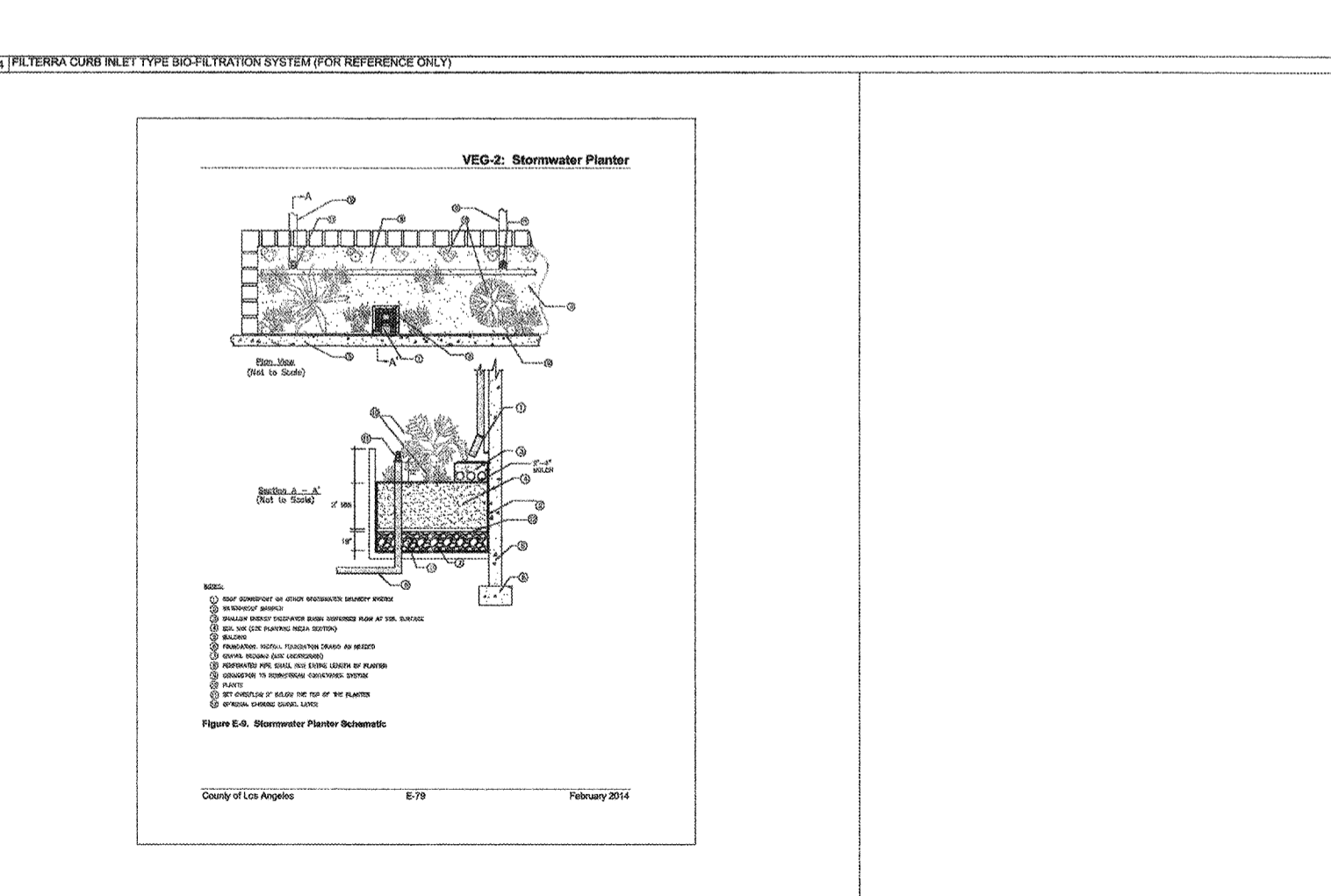
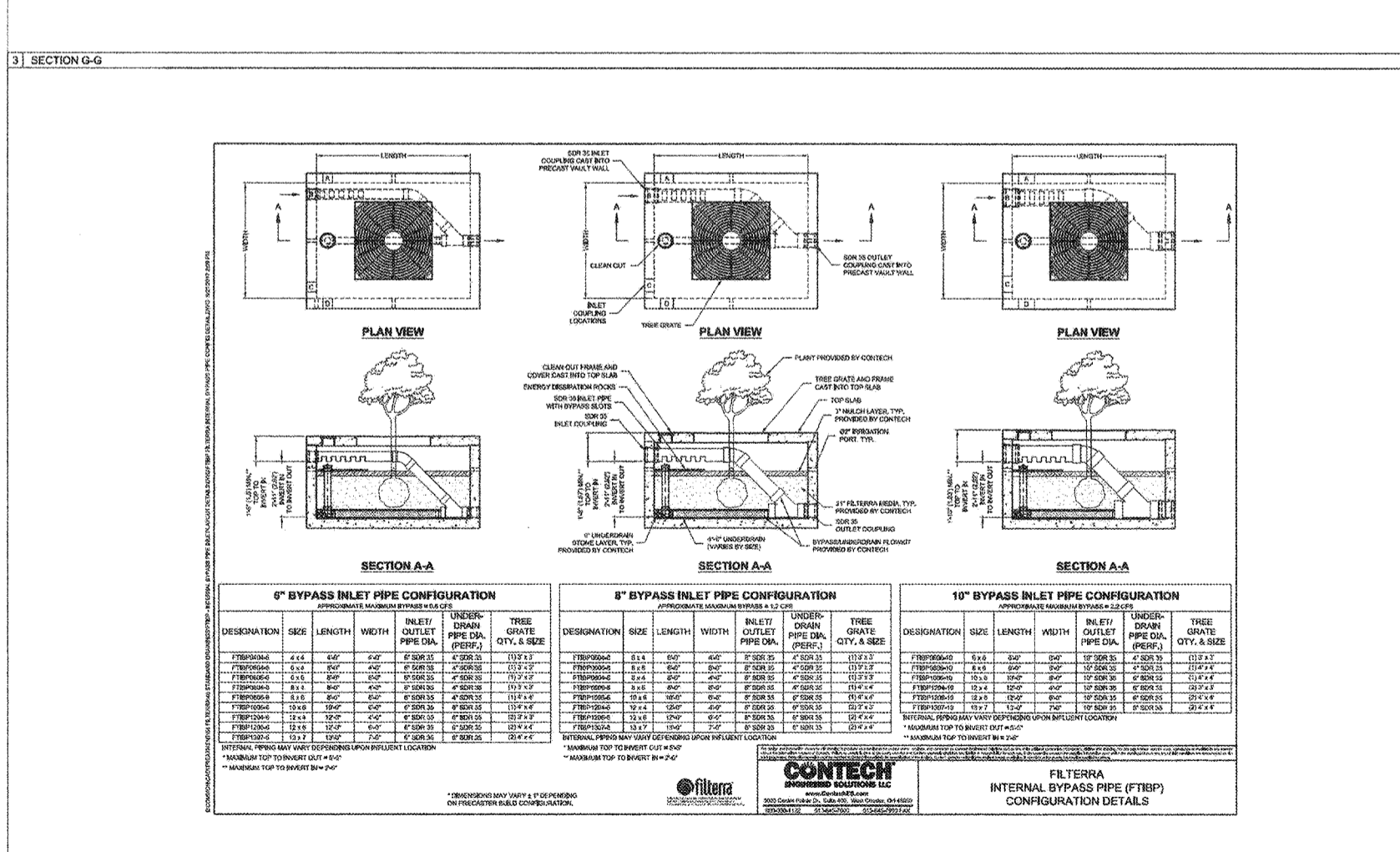
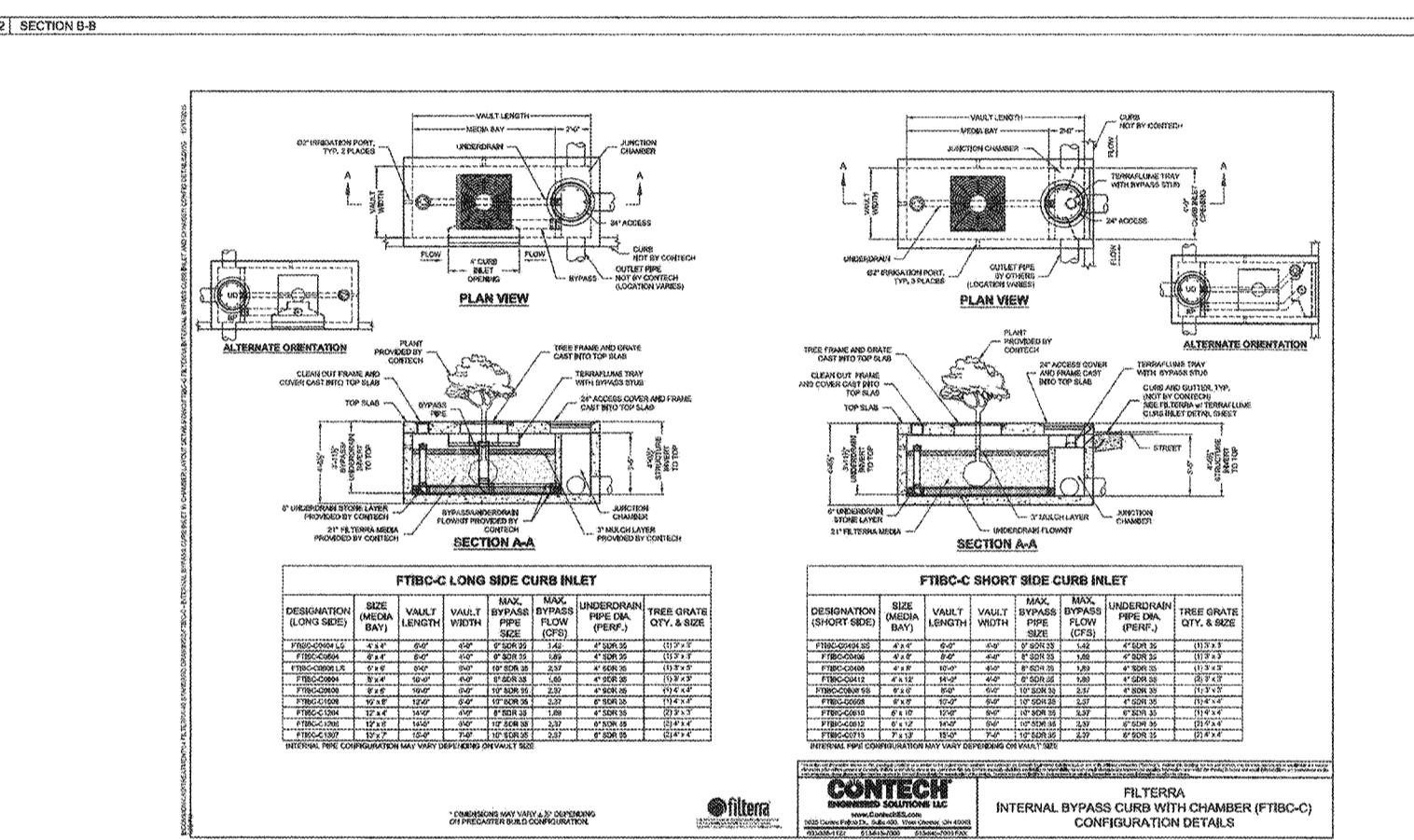
**SECTION A-A**  
SEE SHEET 2.01  
N.T.S.



**SECTION B-B**  
SEE SHEET 2.01  
N.T.S.



**SECTION G-G**  
SEE SHEET 2.01  
N.T.S.



**SECTION C** FILTERRA INTERNAL BYPASS TYPE BIO-FILTRATION SYSTEM (FOR REFERENCE ONLY)

**SECTION D** STORMWATER PLANTER DETAIL

COMPLETE DRAWINGS  
WILL BE SUBMITTED WITH  
BUILDING PLAN CHECK.  
FOR REFERENCE ONLY.