

MICRO NITE STAR™

PROJECT: _____
 TYPE: _____
 CATALOG NUMBER: _____
 SOURCE: _____
 NOTES: _____

CATALOG NUMBER LOGIC

Example: **MM** - **LED** - **607** - **SP** - **BZW** - **12** - **11** - **0** - **360SL**

Material
 B - Brass
 S - Steel
 A - Aluminum

Series
 MN - Micro Nite Star™

Source
 LED - V™ Technology with Integral Dimming Driver (see specifications for Dimming)
 (Compatible with all Dimming Systems: 0-10V, DALI, DMX, RDM, DALI-2, DALI-2/ETC)

LED Type
 e67 - 7W LED 2.7K
 e68 - 7W LED 3K
 e69 - 7W LED 4K
 e70 - 7W LED 5K

Optics
 SP - Spot (Green Indicator) MF - Medium Flood (Yellow Indicator) FL - Flood (Blue Indicator)

Finish
 Aluminum Finish Brass Finish Premium Finish

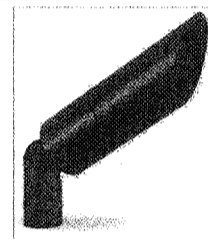
Finish	Aluminum Finish	Brass Finish	Premium Finish
Powder Coat Color	White	Black	Black
Brass	R2P	B2W	A000P
Black	B2P	B2W	A000P
White (Anodized)	W2P	W2W	A000P
Aluminum	S2P	S2W	A000P
Verde	V2P	V2W	A000P

Lens Type
 12 - Soft Focus Lens 13 - Rectilinear Lens

Shielding
 11 - Honeycomb Baffle

Cap Style
 A - 45° B - 90° C - Flush D - 45° less Weep Hole (Interior Use Only) E - 90° less Weep Hole (Interior Use Only)

Option
 360SL - 360° Rotational Swivel Mounting System

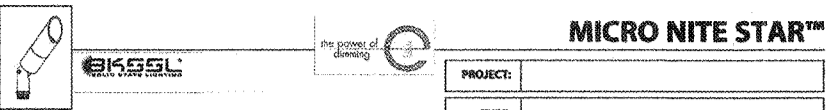


40428 Broadway Drive • Marina, CA 90408 • USA
 562.989.3843 • FAX 562.989.3847
 www.bkg.com • info@bkg.com

B-K LIGHTING 40428 Broadway Drive • Marina, CA 90408 • USA
 562.989.3843 • FAX 562.989.3847
 www.bkg.com • info@bkg.com

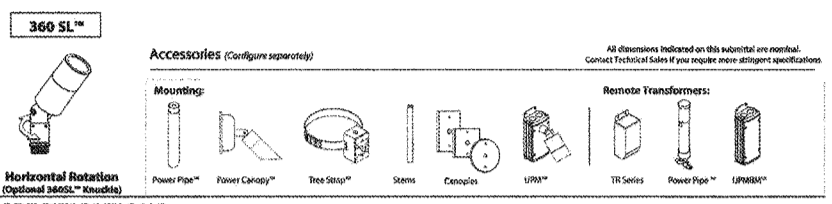
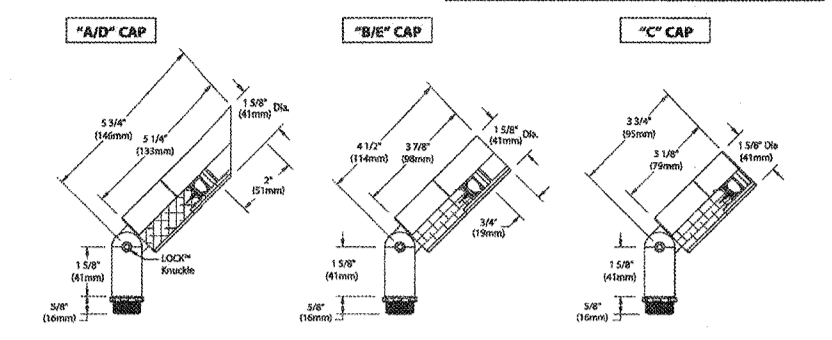
HOLLYWOOD PARK RESIDENTIAL | LOS ANGELES, CA 12 MAR 2018 LIGHTING CATALOG PAGE

TYPE **AL1, AS1**
 1 of 24



MICRO NITE STAR™

PROJECT: _____
 TYPE: _____
 CATALOG NUMBER: _____
 SOURCE: _____
 NOTES: _____



360 SL™
 Accessories (Configure as needed)

Horizontal Rotation (Optional 360° Swivel)
 The 360 SL™ Rotational Swivel Mounting System is designed to allow the Micro Nite Star™ to rotate 360 degrees horizontally. This allows for precise beam placement and adjustment.

Specifications
 Cap: Fully machined, accommodates 1/2" lens or lower. Choice from 0° optic (FL) or 15° optic (MF) or 25° optic (SP) or 45° optic (A) or 90° optic (B). Cap includes weep-hole for water and debris drainage. 1/2" x 1/2" cap extrude weep-hole and is for interior use only.

Lens
 Shock resistant, tempered, glass lens is factory installed to factory cap and provides horizontally adjustable optical compartment. Specify suit focus (FL) or redifuser (R) lens.

Beam
 Fully machined, accommodates 1/2" lens or lower. Choice from 0° optic (FL) or 15° optic (MF) or 25° optic (SP) or 45° optic (A) or 90° optic (B). Beam includes weep-hole for water and debris drainage. 1/2" x 1/2" cap extrude weep-hole and is for interior use only.

Mounting
 Power Ring™, Fiber Canopy™, The Star™, Slats™, Canopies™, 1/8"™, 1/4"™, 3/8"™, 1/2"™, 3/4"™, 1"™, 1 1/2"™, 2"™, 3"™, 4"™, 6"™, 8"™, 10"™, 12"™, 15"™, 18"™, 24"™, 30"™, 36"™, 42"™, 48"™, 54"™, 60"™, 66"™, 72"™, 78"™, 84"™, 90"™, 96"™, 102"™, 108"™, 114"™, 120"™, 126"™, 132"™, 138"™, 144"™, 150"™, 156"™, 162"™, 168"™, 174"™, 180"™, 186"™, 192"™, 198"™, 204"™, 210"™, 216"™, 222"™, 228"™, 234"™, 240"™, 246"™, 252"™, 258"™, 264"™, 270"™, 276"™, 282"™, 288"™, 294"™, 300"™, 306"™, 312"™, 318"™, 324"™, 330"™, 336"™, 342"™, 348"™, 354"™, 360"™.

Remote Transformer
 For use with 7000-8000W LED remote transformer or magnetic transformer only. B-K Lighting cannot guarantee performance with third party manufacturer's transformer.

Wiring
 Teflon™ coated, 18AWG, 600V, 25°C rated and certified to UL 1689 standard.

Hardware
 Target resistant, stainless steel hardware. Lock™ using some is additionally black oxide treated for additional corrosion resistance.

Finish
 Standard™, our exclusive finish compliant, 15 stage chromate-free process cleans and conversion coats aluminum components prior to application of Class A TFC powder powder coating. Black components are available in powder coat or hand-painted metal finish.

Inventory
 3 Year limited warranty.

Installation and Listing
 UL listed to ENEC 180. UL listed. Certified to CAN/CSA C22.2 No. 250.12.

Dimensions
 Low voltage dimmable via magnetic low voltage dimmer. For use with low voltage driver with dedicated neutral conductor. For purposes of dimming, remote magnetic transformer with 180VAC 1/2" x 1/2" technology built should be installed to 25% of the transformer VA rating value.

Optional 360SL™ additionally provides ballast source control with 180° horizontal rotation in addition to vertical adjustment.

40428 Broadway Drive • Marina, CA 90408 • USA
 562.989.3843 • FAX 562.989.3847
 www.bkg.com • info@bkg.com

B-K LIGHTING 40428 Broadway Drive • Marina, CA 90408 • USA
 562.989.3843 • FAX 562.989.3847
 www.bkg.com • info@bkg.com

HOLLYWOOD PARK RESIDENTIAL | LOS ANGELES, CA 12 MAR 2018 LIGHTING CATALOG PAGE

TYPE **AL1, AS1**
 2 of 24

LAMP & DRIVER DATA

DRIVER DATA	Input Volts	Input Current	Operating	Dimmable	Operation Ambient Temperature
	120VAC/50/60Hz	<250mA (non-dimmed)	300mA	Magnetic Low Voltage Dimmer	-22F-149F (-30°C - 60°C)

LM79 DATA			L70 DATA		OPTICAL DATA		
Bin No.	CCT (Typ.)	CRF (Typ.)	Input Watts (Typ.)	Minimum Rated Life (hrs.) 70% of Initial Lumen (L70)	Angle	CBCP	Delivered Lumens
e67	2700K	80	7	50,000	17°	3632	459
	3000K	80	7	50,000	25°	1708	435
e68	2700K	80	7	50,000	17°	3871	469
	3000K	80	7	50,000	25°	1821	464
e69	2700K	80	7	50,000	30°	1425	467
	3000K	80	7	50,000	17°	3991	504
e70	2700K	80	7	50,000	25°	1677	476
	3000K	80	7	50,000	30°	1469	481

OPTICS	
Optic	Angle
NSP - Narrow Spot	17°
MFL - Medium Flood	25°
FL - Flood	30°

40428 Broadway Drive • Marina, CA 90408 • USA
 562.989.3843 • FAX 562.989.3847
 www.bkg.com • info@bkg.com

B-K LIGHTING 40428 Broadway Drive • Marina, CA 90408 • USA
 562.989.3843 • FAX 562.989.3847
 www.bkg.com • info@bkg.com

HOLLYWOOD PARK RESIDENTIAL | LOS ANGELES, CA 12 MAR 2018 LIGHTING CATALOG PAGE

TYPE **AL1, AS1**
 3 of 24

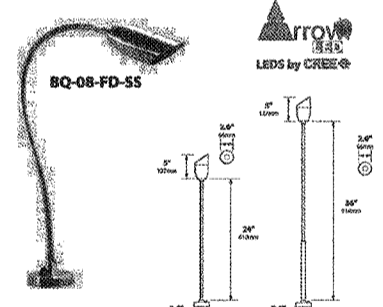
BARBECUE LIGHTS BQ-08 SERIES

CONSTRUCTION:
 FINISHES: Cast 316 stainless steel bullet (consult factory for brass options)
 FLEX ARM: 24" Stainless steel flex arm, 60° model available with 12" stainless steel extension
 MOUNT: Cast stainless steel mount canopy on Flex Deck (FD) models.
 Heavy duty stainless steel C-Clamp with 1/2" plastic T-handle on Flex Clamp (FC) models
 SWITCH: On/Off push button with weatherproof rubber boot cover
 LENS: High impact clear tempered flat glass
 O-RING: High temperature seal silicone
 FINISH: Stainless Steel - Brushed

12V ELECTRICAL SPECIFICATIONS:
 LAMP SUPPLIED: 20w MR16 (FLBA) 5000 hours average rating (35w max)
 LAMP OPTIONS: We recommend ARROW 4w LED (LE0) or 4w LED (LE0W), 50,000 hour or ARROW 5W LED (LE0), 40,000 hour
 SOCKET: High temperature ceramic GU5.3 bi-pin with 250°C silicone lead wires
 WIRING: Black 7 foot 18/2 zip cord from base of fixture for 25 foot 18/2 return lead wire add 25ft to catalog number

120V ELECTRICAL SPECIFICATIONS:
 LAMP SUPPLIED: 30w MR16 (37) med. base 2000 hours average rating (35w max)
 LAMP OPTIONS: 4w ARROW 120V GU10 base MR16 50,000 hour
 SOCKET: High temperature ceramic medium base with 250°C silicone lead wires or ceramic GU10 base for LED
 WIRING: Standard Black, White and Ground 1/2" lead wires on Flex Deck (FD) models only

Stainless steel BBQ lights that are painted are non-returnable, no exceptions



ORDERING INFORMATION

CATALOG NO.	DESCRIPTION	LAMP	SHIP WEIGHT
BQ-08-FC-55	316 Stainless Steel BBQ Light, Flex Clamp with 24" Flex Arm	20w MR16 (FLBA)	4.0 lbs.
BQ-08-FC36-55	316 Stainless Steel BBQ Light, Flex Clamp with 36" Flex Arm	20w MR16 (FLBA)	5.0 lbs.
BQ-08-FD-55	316 Stainless Steel BBQ Light, Flex Deck with 24" Flex Arm	20w MR16 (FLBA)	4.0 lbs.
BQ-08-FD36-55	316 Stainless Steel BBQ Light, Flex Deck with 36" Flex Arm	20w MR16 (FLBA)	5.0 lbs.

120V FLEX DECK DRILL

CATALOG NO.	DESCRIPTION	LAMP	SHIP WEIGHT
BQ-08-FD-MR16120V-05	316 Stainless Steel BBQ Light, Flex Deck with 24" Flex Arm	30w MR16 30°	4.0 lbs.
BQ-08-FD36-MR16120V-05	316 Stainless Steel BBQ Light, Flex Deck with 36" Flex Arm	30w MR16 30°	5.0 lbs.
BQ-08-FD-MR16120V-05	316 Stainless Steel BBQ Light, Flex Deck with 24" Flex Arm	4w LED MR16 GU10	4.0 lbs.

JOB INFORMATION

Type: _____ Date: _____
 Job Name: _____
 Cat. No.: _____
 Location: _____
 Specifier: _____
 Contractor: _____
 Notes: _____

FOCUS INDUSTRIES INC. 1234 COMMERCIAL TRL DRIVE LONG BEACH, CA 90801 (562) 989-3843

40428 Broadway Drive • Marina, CA 90408 • USA
 562.989.3843 • FAX 562.989.3847
 www.bkg.com • info@bkg.com

B-K LIGHTING 40428 Broadway Drive • Marina, CA 90408 • USA
 562.989.3843 • FAX 562.989.3847
 www.bkg.com • info@bkg.com

HOLLYWOOD PARK RESIDENTIAL | LOS ANGELES, CA 12 MAR 2018 LIGHTING CATALOG PAGE

TYPE **AS2**
 4 of 24

Ballards for light directed downwards

Post construction: One piece extruded aluminum with a one piece die-cast aluminum top housing and a base internally welded into an assembly. Die castings are marine grade, copper free (0.02% copper content) A3060 aluminum alloy.

Lamp enclosure: One piece die-cast aluminum top housing, removable for re-lamping, secured by two captive stainless steel screws. Threaded into stainless steel inserts. Clear tempered safety glass. Reflector made from pure anodized aluminum. Fully gasketed using a modified silicone high temperature gasket. Fully shielded to comply with LED Zones 1 and higher.

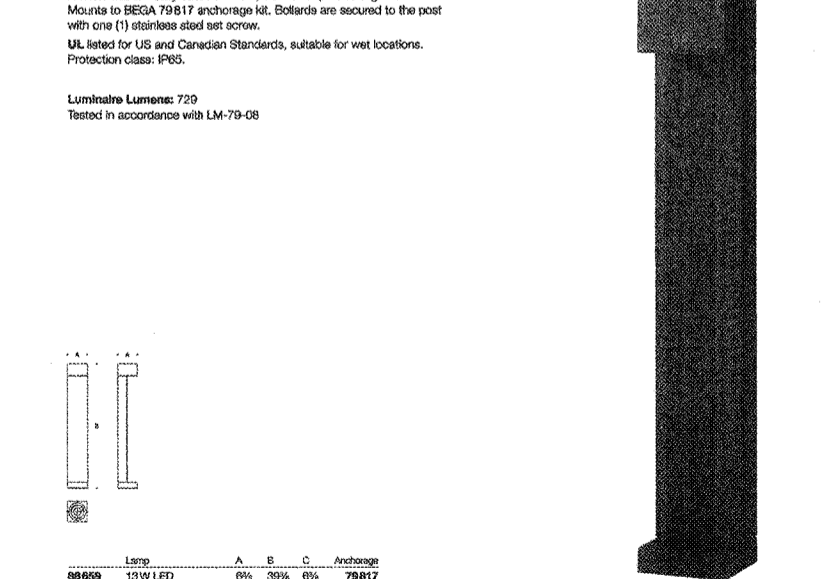
Electrical: 13W LED luminaire, 16.0 total system watts, 20°C start temperature, integral 120V through 277V electronic LED drive, 0-10V dimming. The LED and driver are mounted on a removable plate for easy replacement. Standard LED color temperature is 3000K with a 300 CRI. Available in 4000K (40 CRI), cold white 6500K to order.

Finish: All BEGA standard finishes are powder coated with minimum 3 mil thickness. Available in four standard BEGA colors: Black (RAL9005) White (RAL9010) Snowy (RAL9003) Silver (RAL9006). To specify, add appropriate suffix to catalog number. Colorfastness is guaranteed against fading.

Another base: Heavy cast aluminum, socketed for precise alignment. Mounts to BEGA 79817 anchorage kit. Ballards are secured to the post with one (1) stainless steel set screw.

UL listed for US and Canadian Standards, suitable for wet locations. Protection class: IP65.

Luminaire Lumen: 730
 Tested in accordance with LM-79-D8



Part No.	LED	A	B	C	Anchor
99550	13W LED	99	309	6	79817

BEGA-US 1000 BEGA Way, Carpinteria, CA 93013 (805) 684-0533 FAX (805) 686-9476 www.bega-us.com
 Copyright BEGA-US 2016 Updated 04/16

B-K LIGHTING 40428 Broadway Drive • Marina, CA 90408 • USA
 562.989.3843 • FAX 562.989.3847
 www.bkg.com • info@bkg.com

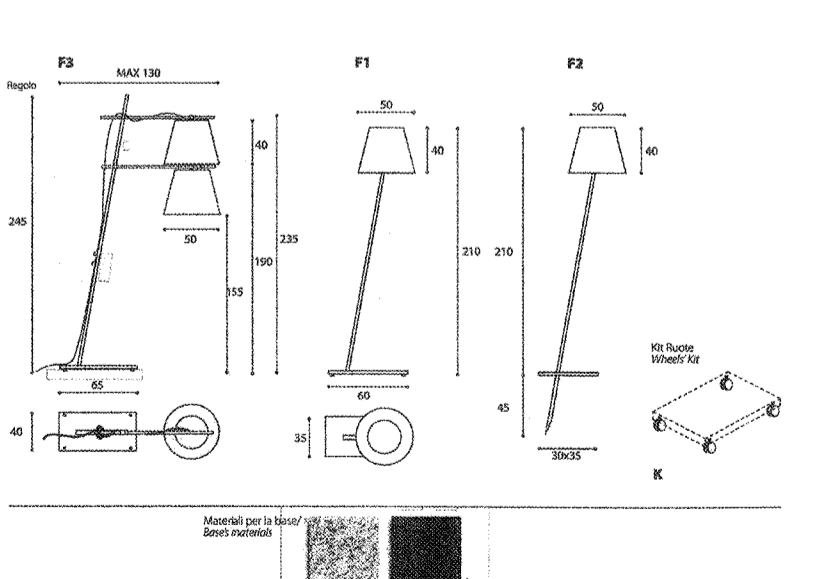
HOLLYWOOD PARK RESIDENTIAL | LOS ANGELES, CA 12 MAR 2018 LIGHTING CATALOG PAGE

TYPE **BH1**
 5 of 24

MIAMI

Collezione di lampade con paralume in vetrosofocato a cui si aggiunge la nuova finitura in cromo, per la struttura. Base in cromo e paralume diffusore in vetrosofocato bianco caldo. Materiali: ottone in cromo, inox. Finiture: ottone satinato, acciaio inox satinato. Fonte luminosa: LED E27.

Fineglass shade lamp, collection which is enriched with a new surface structure - shining in chrome.
 Base in chrome and glass diffuser in frosted white glass.
 Materials: chrome or iron steel
 Light: LED E27



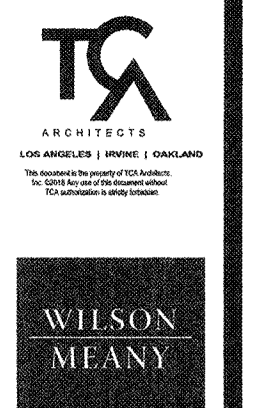
LED E27 110/220V 40W
 34
 Made in Italy

40428 Broadway Drive • Marina, CA 90408 • USA
 562.989.3843 • FAX 562.989.3847
 www.bkg.com • info@bkg.com

B-K LIGHTING 40428 Broadway Drive • Marina, CA 90408 • USA
 562.989.3843 • FAX 562.989.3847
 www.bkg.com • info@bkg.com

HOLLYWOOD PARK RESIDENTIAL | LOS ANGELES, CA 12 MAR 2018 LIGHTING CATALOG PAGE

TYPE **DF1**
 6 of 24



<p>HOLLYWOOD PARK RESIDENTIAL - MU-2C INGLEDWOOD, CALIFORNIA HOLLYWOOD PARK RETAIL AND COMMERCIAL INVESTORS, LLC</p> <p>2017-083 JOB NUMBER</p> <p>###</p> <p>PLOT PLAN RESUBMITTAL SHEET #4 06-21-2018 ISSUE DATE</p>
