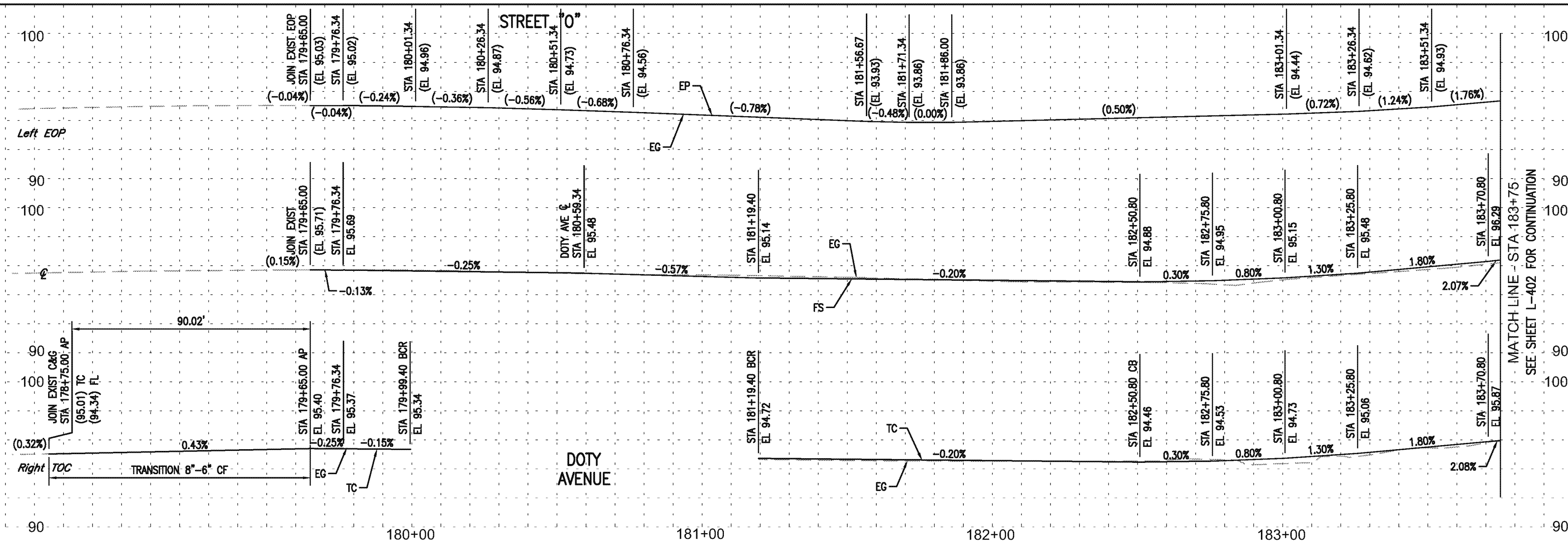
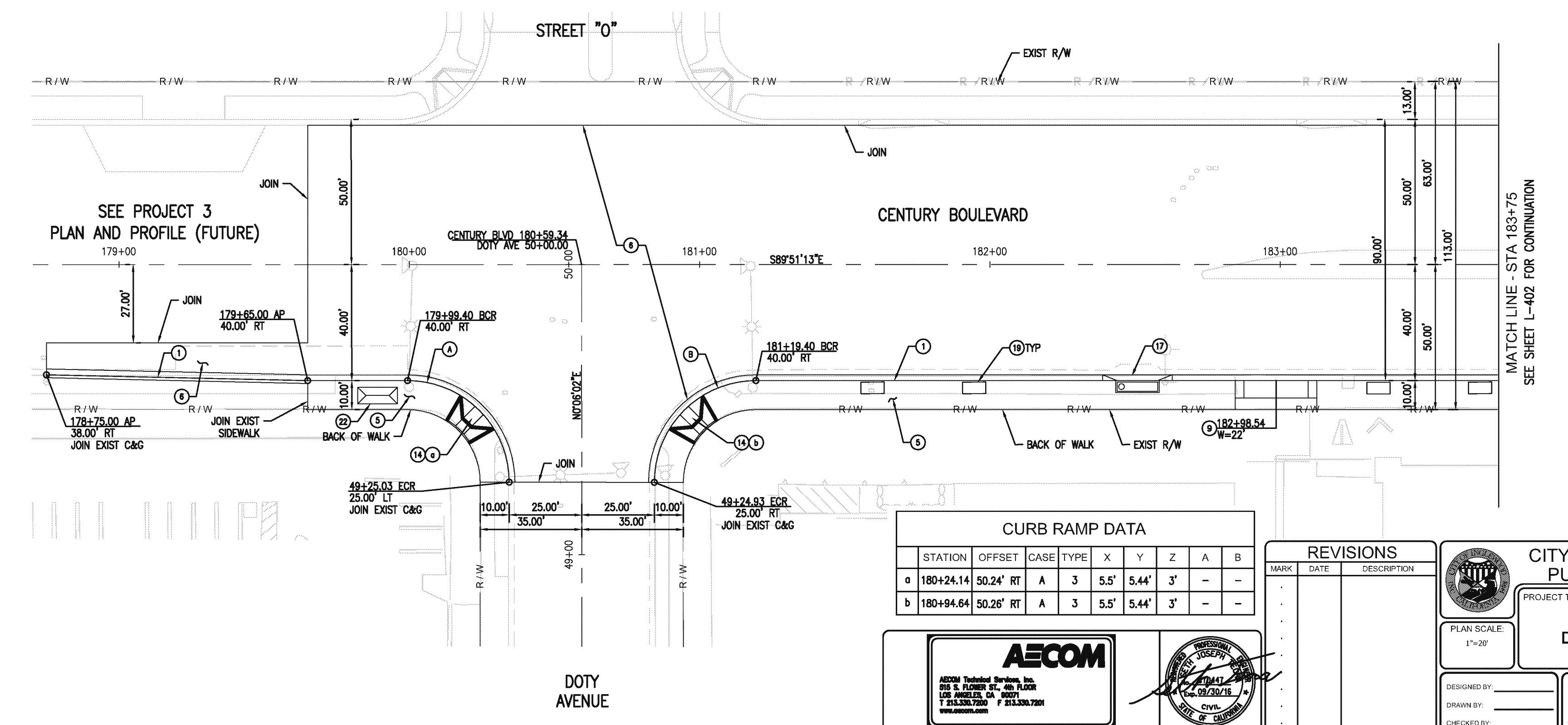


ST-4696

ST-4696



- NOTES:**
1. ALL CURB AND GUTTER ARE TYPE A2-6 UNLESS OTHERWISE NOTED.
 2. ALL MEDIAN CURB ARE TYPE A1-8 UNLESS OTHERWISE NOTED.
 3. ALL DRIVEWAYS ARE TYPE A, Y=6' & X=3' UNLESS OTHERWISE NOTED.
 4. PROTECT IN PLACE ALL CURB DRAINS. REPLACE IF DAMAGED DURING CONSTRUCTION.
 5. SEE LANDSCAPE PLANS FOR TREE WELL AND PLANTER LOCATIONS.
 6. SEE STREET LIGHTING PLANS FOR LOCATIONS.
 7. SEE STORM DRAIN PLANS FOR CB & LOCAL DEPRESSION LOCATIONS.
 8. SEE DWG P-401 FOR CURB RETURN AND CENTERLINE PROFILES.
 9. SEE DWG PI-401 FOR INTERSECTION DETAIL.



- CONSTRUCTION NOTES:**
- 1 PCC CURB AND GUTTER PER SPPWC STD PLAN 120-2 (PCC OVER 6" CMB)
 - 5 PCC SIDEWALK PER SPPWC STD PLAN 112-2 (4" PCC OVER 4" CMB)
 - 6 JPCP PAVEMENT ON BASE MATERIAL PER TYP SECTIONS
 - 9 PCC COMMERCIAL DRIVEWAY PER SPPWC STD PLAN 110-2 (PCC OVER 6" CMB)
 - 14 PCC CURB RAMP PER SPPWC STD PLAN 111-5, OR AS SHOWN (PCC OVER 4" CMB)
 - 17 LOCAL DEPRESSION AT CATCH BASIN PER SPPWC STD PLAN 313-3, CASE E
 - 19 TREE WELL PER LANDSCAPING PLAN
 - 22 BUS SHELTER, BUS STOP SIGN, AND TRASH RECEPTACLE PER DETAIL ON SHEET C-401

CURVE TABLE

CURVE	R	Δ	L	T
A	35.00'	89°59'08"	54.97'	34.99'
B	35.00'	90°04'38"	55.03'	35.05'

CURB RAMP DATA

STATION	OFFSET	CASE	TYPE	X	Y	Z	A	B
a 180+24.14	50.24' RT	A	3	5.5'	5.44'	3'	-	-
b 180+94.64	50.26' RT	A	3	5.5'	5.44'	3'	-	-

REVISIONS

MARK	DATE	DESCRIPTION

AECOM
 AECOM Technical Services, Inc.
 515 S. FLOWER ST., 4th FLOOR
 LOS ANGELES, CA 90071
 T 213.330.7200 F 213.330.7201
 www.aecom.com

PROFESSIONAL ENGINEER
 JOSEPH M. CASTILLO
 No. 170447
 Exp. 09/30/16
 CIVIL
 STATE OF CALIFORNIA

CITY OF INGLEWOOD, CALIFORNIA
PUBLIC WORKS DEPARTMENT

PROJECT TITLE:
PLANS FOR IMPROVEMENT OF CENTURY BOULEVARD DOTY AVE TO VAN NESS AVE
PLAN AND PROFILE - 178+75 TO 183+75

DESIGNED BY: _____
 DRAWN BY: _____
 CHECKED BY: _____

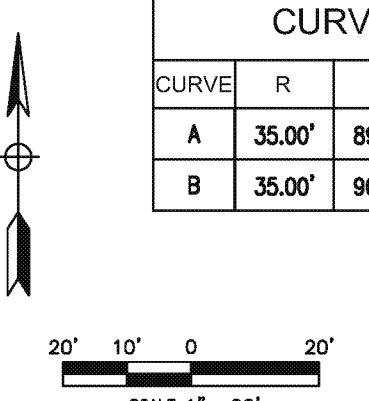
SUBMITTED BY / APPROVED BY:

 ELOY M. CASTILLO, RCE 09107 / PRINCIPAL CIVIL ENGINEER

DATE: **5/18/2015**

PLAN SCALE: 1"=20'
 PROFILE SCALE: VERTICAL 1"=4' HORIZONTAL 1"=20'

PLAN NO. **L-401**
 SHEET NO. 18 OF 215



ST-4696

ST-4696

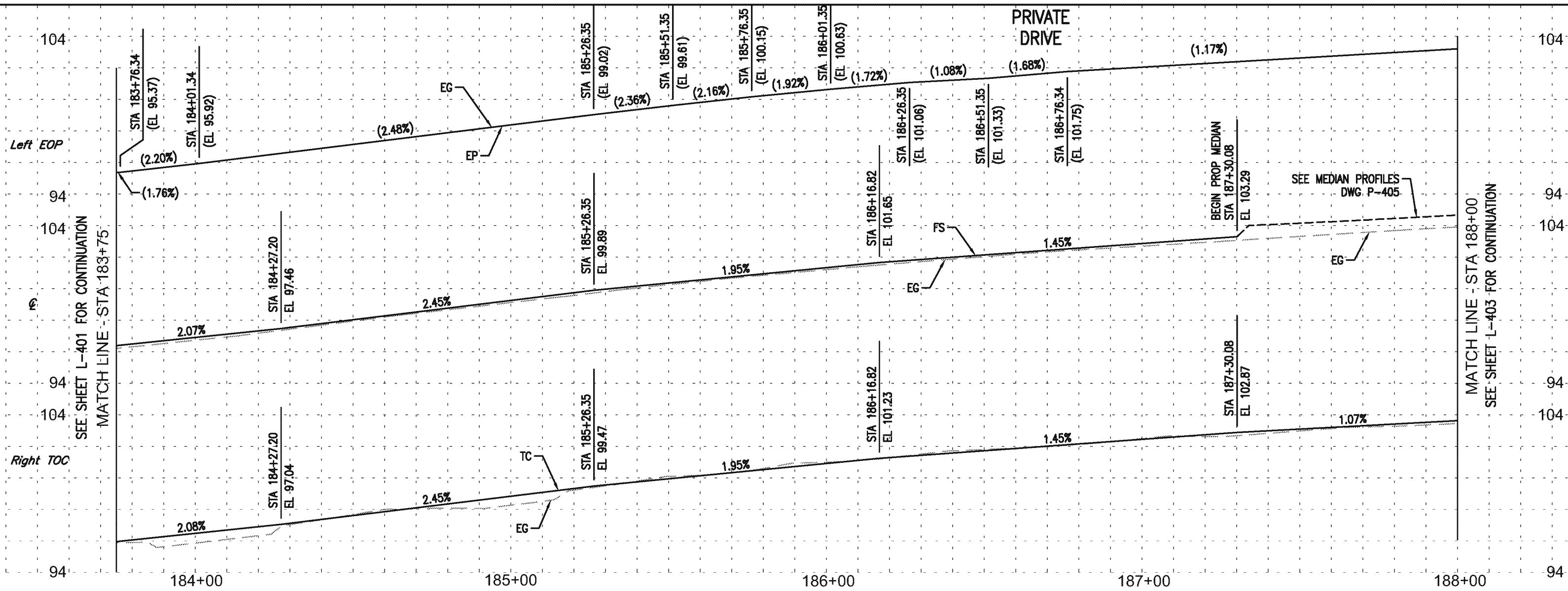
Drawn's Name: W:\95109095_CBR_1\95109095_CAD\CAD\Sheet\Profile 4 - Doty to Van Ness\04 Civil Plan and Profile\CB-L-401.dwg
 Last Owner: Mar 21, 2015 - 8:43AM - bjammer

ST-4696

ST-4696

ST-4696

ST-4696

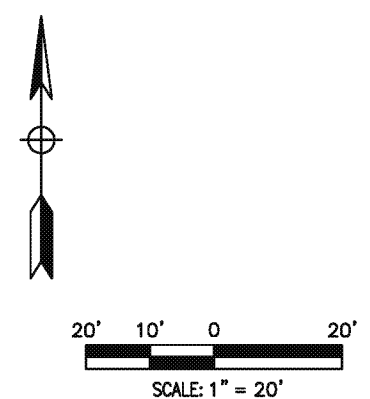
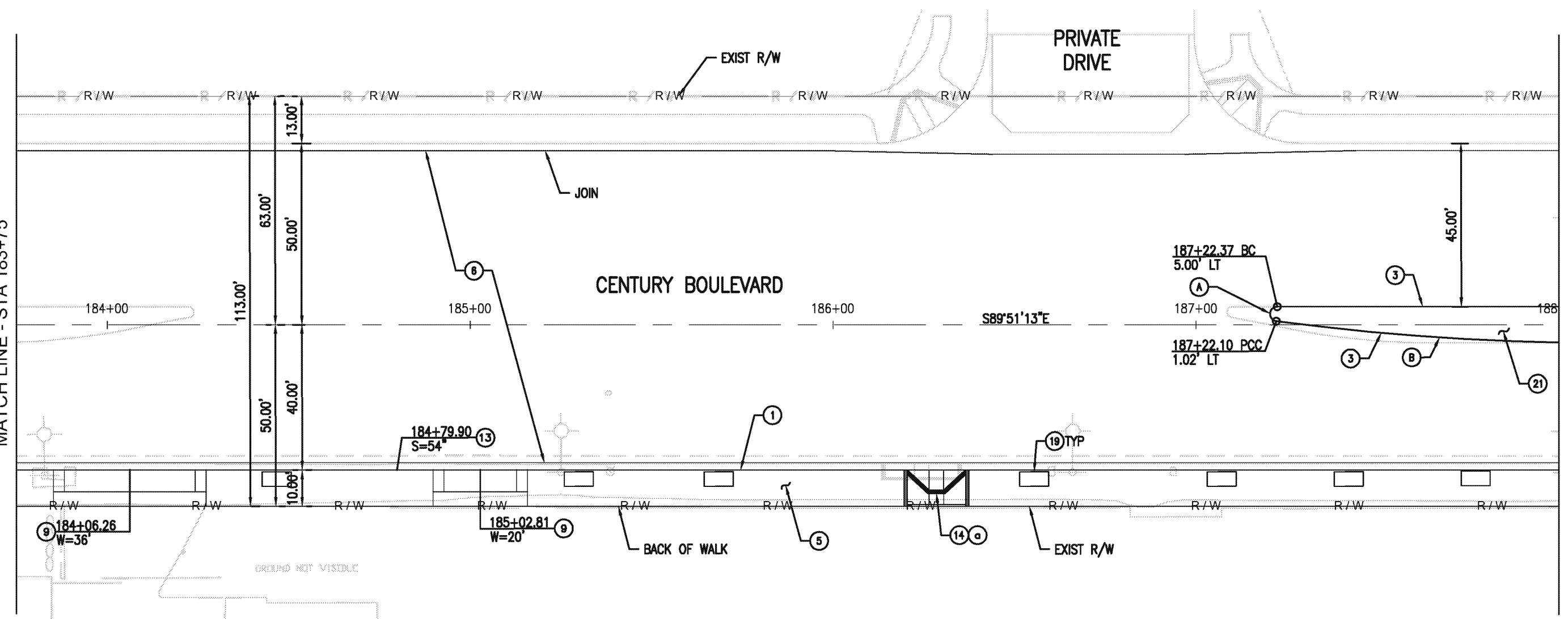


- NOTES:**
1. ALL CURB AND GUTTER ARE TYPE A2-6 UNLESS OTHERWISE NOTED.
 2. ALL MEDIAN CURB ARE TYPE A1-8 UNLESS OTHERWISE NOTED.
 3. ALL DRIVEWAYS ARE TYPE A, Y=6' & X=3' UNLESS OTHERWISE NOTED.
 4. PROTECT IN PLACE ALL CURB DRAINS. REPLACE IF DAMAGED DURING CONSTRUCTION.
 5. SEE LANDSCAPE PLANS FOR TREE WELL AND PLANTER LOCATIONS.
 6. SEE STREET LIGHTING PLANS FOR LOCATIONS.
 7. SEE STORM DRAIN PLANS FOR CB & LOCAL DEPRESSION LOCATIONS.
 8. SEE DWG P-401 FOR CURB RETURN AND CENTERLINE PROFILES.
 9. SEE DWG PI-401 FOR INTERSECTION DETAIL.

CONSTRUCTION NOTES:

- 1 PCC CURB AND GUTTER PER SPPWC STD PLAN 120-2 (PCC OVER 6" CMB)
- 3 PCC MEDIAN CURB PER SPPWC STD PLAN 120-2 (PCC OVER 6" CMB)
- 5 PCC SIDEWALK PER SPPWC STD PLAN 112-2 (4" PCC OVER 4" CMB)
- 6 JPCP PAVEMENT ON BASE MATERIAL PER TYP SECTIONS
- 9 PCC COMMERCIAL DRIVEWAY PER SPPWC STD PLAN 110-2 (PCC OVER 6" CMB)
- 13 PARKWAY DRAIN PER SPPWC STD PLAN 151-2
- 14 PCC CURB RAMP PER SPPWC STD PLAN 111-5, OR AS SHOWN (PCC OVER 4" CMB)
- 19 TREE WELL PER LANDSCAPING PLAN
- 21 PLANTING AREA PER LANDSCAPING PLAN

CURVE TABLE				
CURVE	R	Δ	L	T
A	2.00'	172°23'09"	6.02'	30.06'
B	684.26'	7°34'50"	90.53'	45.33'



CURB RAMP DATA										
	STATION	OFFSET	CASE	TYPE	X	Y	Z	A	B	
a	186+28.49	40.00'	RT	A	2	6'	5.5'	6'	-	-

AECOM
 AECOM Technical Services, Inc.
 515 S. FLOWER ST., 4th FLOOR
 LOS ANGELES, CA 90071
 T 213.330.7200 F 213.330.7201
 www.aecom.com

Professional Engineer
 JOSEPH [Signature]
 09/30/16
 CIVIL
 STATE OF CALIFORNIA

REVISIONS		
MARK	DATE	DESCRIPTION

CITY OF INGLEWOOD, CALIFORNIA
PUBLIC WORKS DEPARTMENT

PROJECT TITLE:
PLANS FOR IMPROVEMENT OF CENTURY BOULEVARD DOTY AVE TO VAN NESS AVE
PLAN AND PROFILE - 183+75 TO 188+00

DESIGNED BY: _____
 DRAWN BY: _____
 CHECKED BY: _____

SUBMITTED BY / APPROVED BY:
 [Signature]
 ELOY M. CASTILLO, RCE 09100 / PRINCIPAL CIVIL ENGINEER

DATE: **5/18/2015**

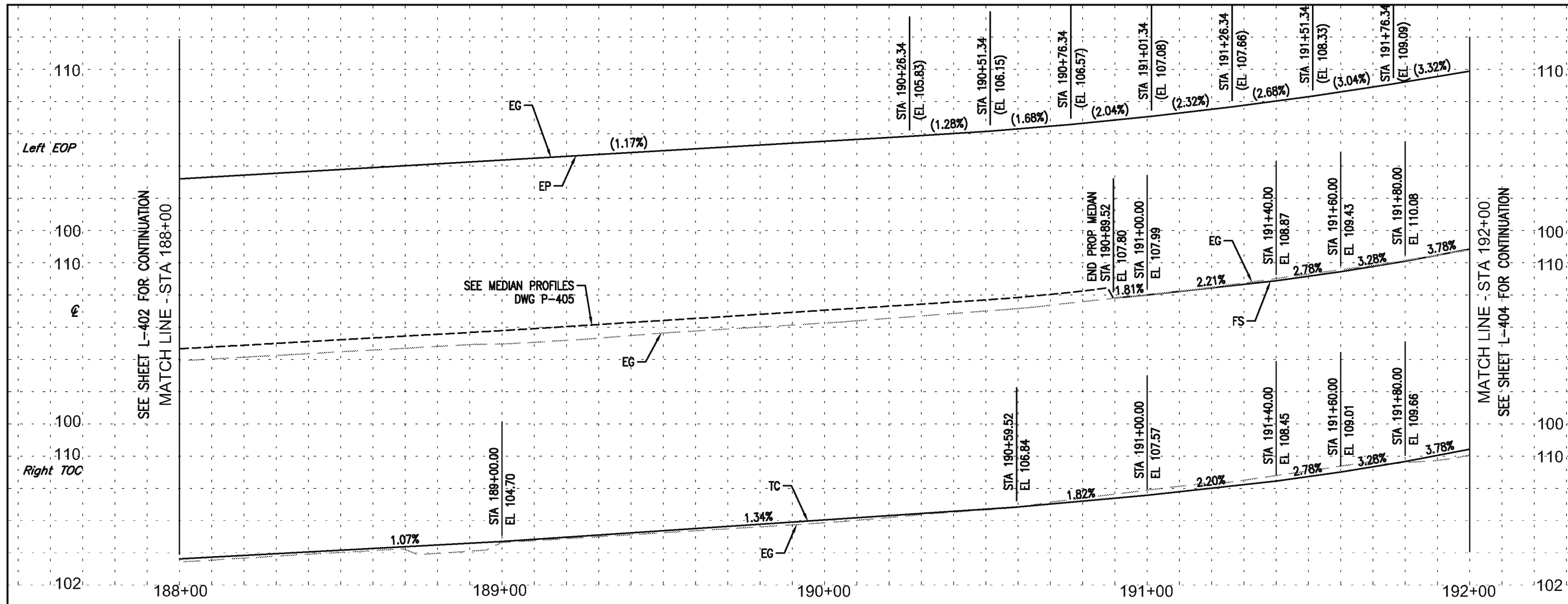
PLAN NO.: **L-402**
 SHEET NO.: **19 OF 215**

ST-4696

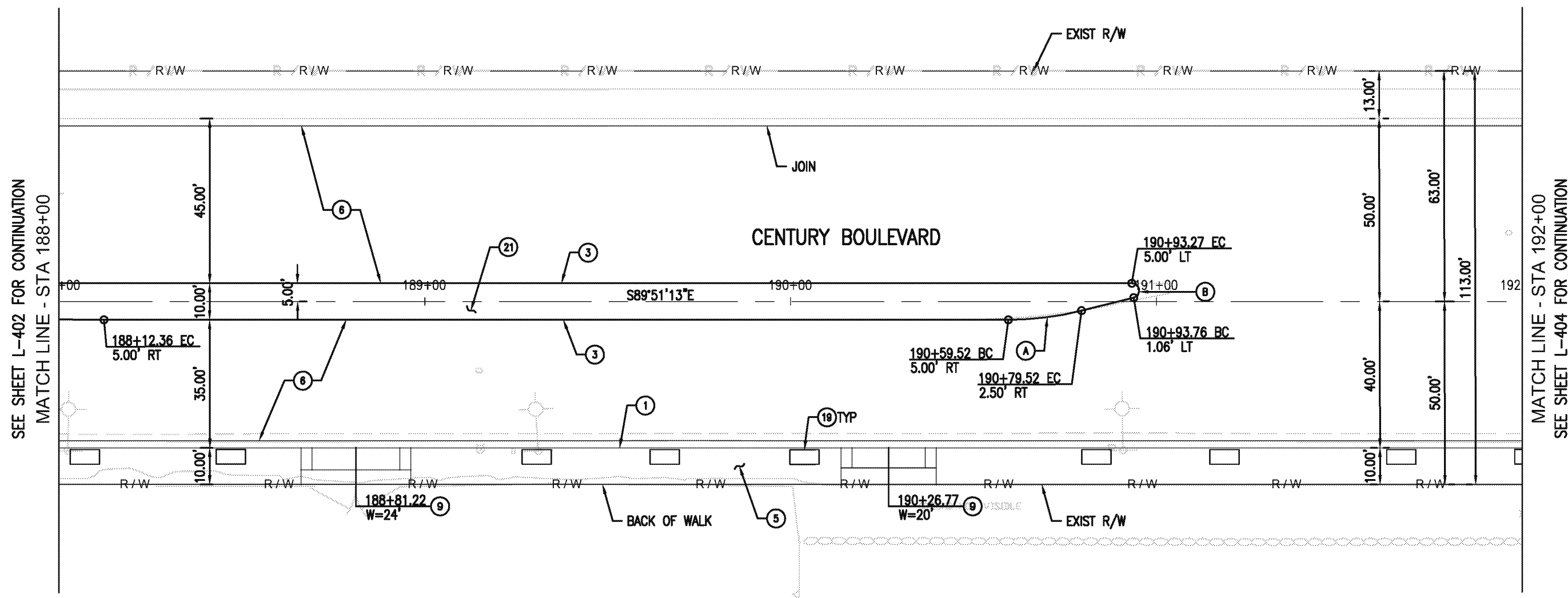
ST-4696

ST-4696

ST-4696

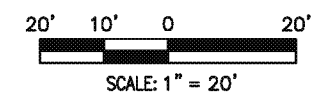
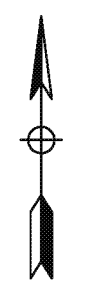


- NOTES:**
1. ALL CURB AND GUTTER ARE TYPE A2-6 UNLESS OTHERWISE NOTED.
 2. ALL MEDIAN CURB ARE TYPE A1-8 UNLESS OTHERWISE NOTED.
 3. ALL DRIVEWAYS ARE TYPE A, Y=6' & X=3' UNLESS OTHERWISE NOTED.
 4. PROTECT IN PLACE ALL CURB DRAINS. REPLACE IF DAMAGED DURING CONSTRUCTION.
 5. SEE LANDSCAPE PLANS FOR TREE WELL AND PLANTER LOCATIONS.
 6. SEE STREET LIGHTING PLANS FOR LOCATIONS.



CURVE TABLE				
CURVE	R	Δ	L	T
A	81.54'	14°11'57"	20.21'	10.16'
B	2.00'	165°57'50"	5.79'	16.25'

- CONSTRUCTION NOTES:**
- 1 PCC CURB AND GUTTER PER SPPWC STD PLAN 120-2 (PCC OVER 6" CMB)
 - 3 PCC MEDIAN CURB PER SPPWC STD PLAN 120-2 (PCC OVER 6" CMB)
 - 5 PCC SIDEWALK PER SPPWC STD PLAN 112-2 (4" PCC OVER 4" CMB)
 - 6 JPCP PAVEMENT ON BASE MATERIAL PER TYP SECTIONS
 - 9 PCC COMMERCIAL DRIVEWAY PER SPPWC STD PLAN 110-2 (PCC OVER 6" CMB)
 - 19 TREE WELL PER LANDSCAPING PLAN
 - 21 PLANTING AREA PER LANDSCAPING PLAN



REVISIONS		
MARK	DATE	DESCRIPTION

AECOM
 AECOM Technical Services, Inc.
 515 S. FLOWER ST., 4th FLOOR
 LOS ANGELES, CA 90071
 T 213.330.7200 F 213.330.7201
 www.aecom.com

PROFESSIONAL ENGINEER
 JOSEPH M. CASTILLO
 No. 170447
 Exp. 09/30/16
 CIVIL
 STATE OF CALIFORNIA

CITY OF INGLEWOOD, CALIFORNIA
PUBLIC WORKS DEPARTMENT

PROJECT TITLE:
PLANS FOR IMPROVEMENT OF CENTURY BOULEVARD DOTY AVE TO VAN NESS AVE
PLAN AND PROFILE - 188+00 TO 192+00

DESIGNED BY: _____
 DRAWN BY: _____
 CHECKED BY: _____

SUBMITTED BY / APPROVED BY:

 ELOY M. CASTILLO, RCE 09107 / PRINCIPAL CIVIL ENGINEER

DATE: **5/18/2015**

PLAN NO.: **L-403**
 SHEET NO.: **20 OF 215**

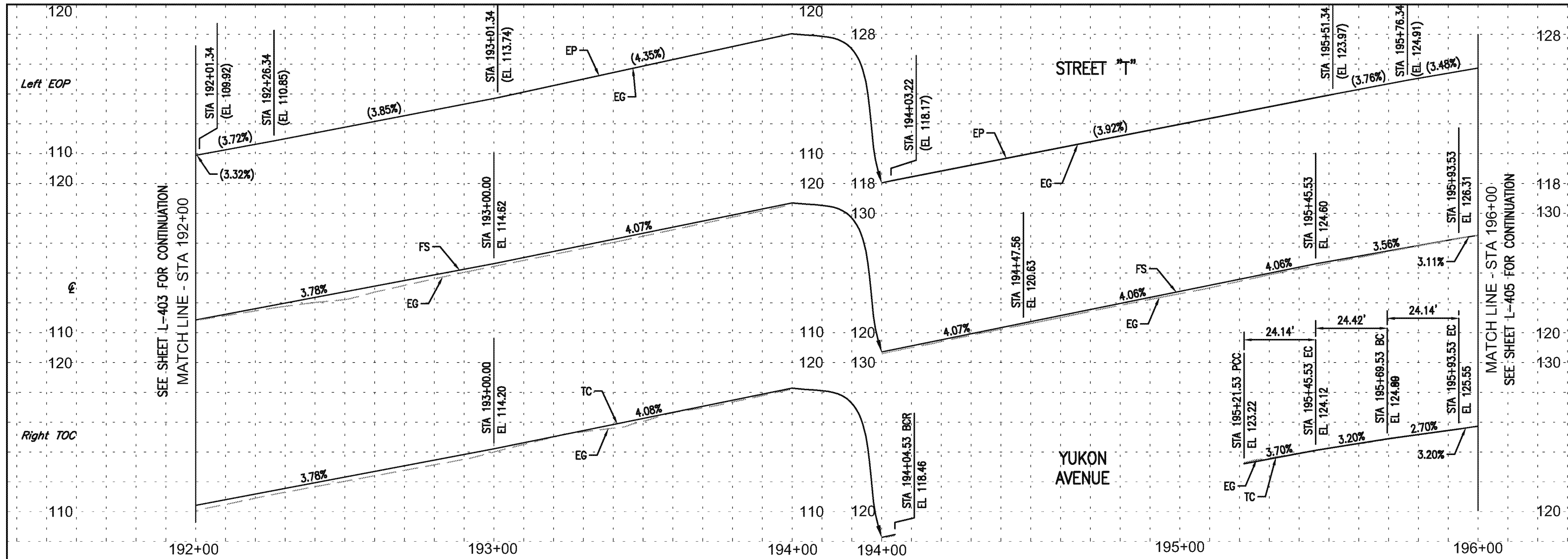
Drawing Name: W:\95109095_CBR_Ingleswood\CADD\Civil\Sheet\Profile 4 - Doty to Van Ness\04 Civil Plan and Profile\CEL-L-403.dwg
 Last Owner: Mar 21, 2015 - 8:47AM - brammern

ST-4696

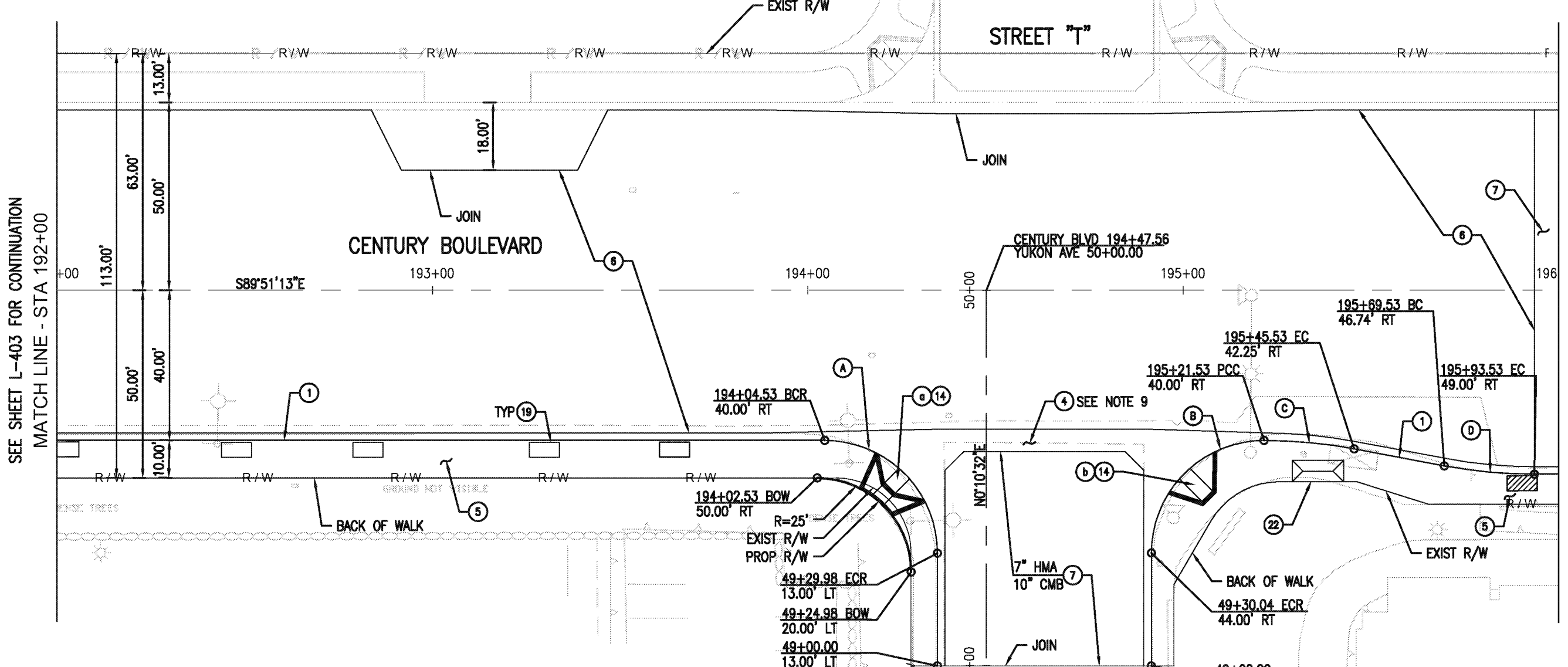
ST-4696

ST-4696

ST-4696



- NOTES:**
1. ALL CURB AND GUTTER ARE TYPE A2-6 UNLESS OTHERWISE NOTED.
 2. ALL MEDIAN CURB ARE TYPE A1-8 UNLESS OTHERWISE NOTED.
 3. ALL DRIVEWAYS ARE TYPE A, Y=6' & X=3' UNLESS OTHERWISE NOTED.
 4. PROTECT IN PLACE ALL CURB DRAINS. REPLACE IF DAMAGED DURING CONSTRUCTION.
 5. SEE LANDSCAPE PLANS FOR TREE WELL AND PLANTER LOCATIONS.
 6. SEE STREET LIGHTING PLANS FOR LOCATIONS.
 7. SESEE DWG P-401 FOR CURB RETURN AND CENTERLINE PROFILES.
 8. SEE DWG C-401 FOR MODIFIED CURB RAMP AND BUS SHELTER DETAIL.
 9. SEE DWG PI-402 FOR MODIFIED LONGITUDINAL GUTTER & INTERSECTION DETAIL.



CURVE TABLE

CURVE	R	Δ	L	T
A	30.00'	90°01'45"	47.14'	30.02'
B	30.00'	89°58'15"	47.11'	29.98'
C	129.97'	10°38'31"	24.14'	12.10'
D	129.97'	10°38'31"	24.14'	12.10'

- CONSTRUCTION NOTES:**
- 1 PCC CURB AND GUTTER PER SPPWC STD PLAN 120-2 (PCC OVER 6" CMB)
 - 4 PCC CROSS GUTTER PER SPPWC STD PLAN 122-2 (PCC OVER 9" CMB)
 - 5 PCC SIDEWALK PER SPPWC STD PLAN 112-2 (4" PCC OVER 4" CMB)
 - 6 JPCP PAVEMENT ON BASE MATERIAL PER TYP SECTIONS
 - 7 HMA PAVEMENT ON BASE MATERIAL PER TYP SECTIONS
 - 14 PCC CURB RAMP PER SPPWC STD PLAN 111-5, OR AS SHOWN (PCC OVER 4" CMB)
 - 19 TREE WELL PER LANDSCAPING PLAN
 - 22 BUS SHELTER, BUS STOP SIGN, AND TRASH RECEPTACLE PER DETAIL ON SHEET C-401

CURB RAMP DATA

STATION	OFFSET	CASE	TYPE	X	Y	Z	A	B		
a	194+25.75	48.79'	RT	A	3	6.5'	5.38'	3'	-	-
b	195+00.32	48.78'	RT	A	1(MOD)	4'/7.5'	8.5'	-	-	-

REVISIONS

MARK	DATE	DESCRIPTION

CITY OF INGLEWOOD, CALIFORNIA
PUBLIC WORKS DEPARTMENT

PROJECT TITLE:
PLANS FOR IMPROVEMENT OF CENTURY BOULEVARD DOTY AVE TO VAN NESS AVE
PLAN AND PROFILE - 192+00 TO 196+00

DESIGNED BY: _____
DRAWN BY: _____
CHECKED BY: _____

SUBMITTED BY / APPROVED BY:

ELOY M. CASTILLO, RCE 08100 / PRINCIPAL CIVIL ENGINEER

DATE: **5/18/2015**

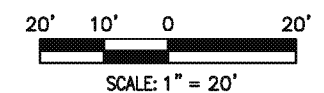
PLAN SCALE: 1"=20'
PROFILE SCALE: VERTICAL 1"=4', HORIZONTAL 1"=20'

PLAN NO. **L-404**
SHEET NO. 21 OF 215

AECOM

AECOM Technical Services, Inc.
515 S. FLOWER ST., 4th FLOOR
LOS ANGELES, CA 90071
T 213.330.7200 F 213.330.7201
www.aecom.com

PROFESSIONAL ENGINEER
JOSEPH [Signature]
02/30/16
CIVIL
STATE OF CALIFORNIA



Drawn's Name: W:\91098950_CBR\Inglewood\CAD\CAD\Sheet\Project 4 - Doty to Van Ness\04 Civil Plan and Profile\CEL-L-404.dwg
Last Checked: Mar 21, 2015 - 8:48AM - baraman